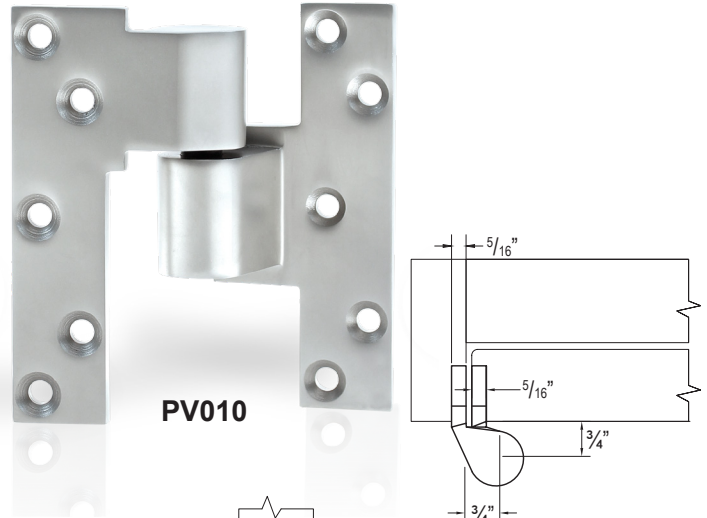


INTERMEDIATE PIVOT

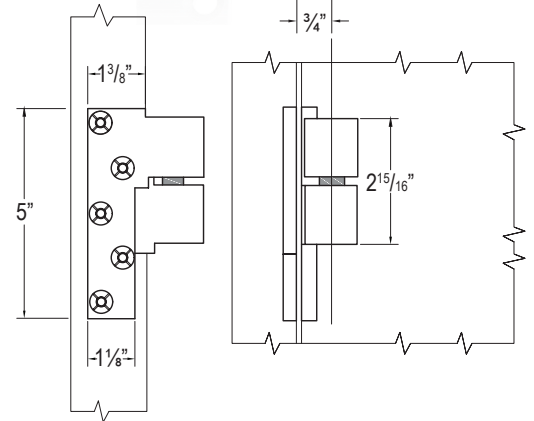
MAIN FEATURES

- ▶ Heavy Duty Full Mortise
- ▶ Handed
- ▶ Maintains door alignment
- ▶ Aids in installing floor closer and bottom pivots
- ▶ Stainless Steel material with high corrosion resistance
- ▶ Door thickness minimum 1 3/4"
- ▶ Maximum door load: 600 pounds
- ▶ Vertical adjustment 3/16" include positive locking



ELECTRIFICATION

- ▶ For medium and heavy wood and metal doors in high traffic areas
- ▶ **4 wires, 26 gauge**
- ▶ Can be used on exterior and interior doors
- ▶ Can be used with top and bottom pivots
- ▶ Handed
- ▶ Not load bearing
- ▶ Maintains door alignment and aids in installing bottom pivots
- ▶ Doors 60" to 90" in height should use one intermediate pivot
- ▶ Each additional 30" warrants another intermediate pivot
- ▶ Vertical adjustment up to 3/16"
- ▶ Fasteners: 8 pcs wood screws and 8 pcs. machine screws



ITEM #	SIZE	OFFSET	THICKNESS
ELEPV010-RH	5" x 4 1/4"	3/4"	5/16"
ELEPV010-LH	5" x 4 1/4"	3/4"	5/16"