

# ES1433

## Universal Electric Strike



**FEATURES:**

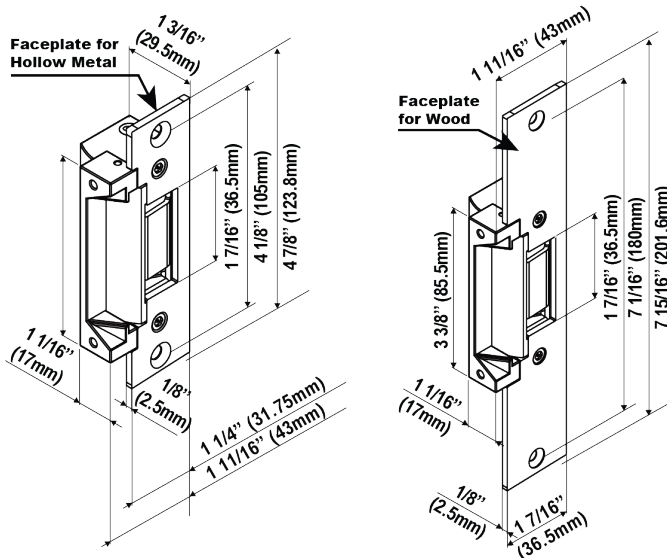
- Designed for use with Cylindrical or Mortise Locksets without a deadbolt
- For Hollow Metal and Wood Frame Applications
- Non-Handed, Fully Reversible
- Field Reversible for Fail Safe or Fail Secure Operation
- Static Strength: 1500 lbs (680 kg)
- Dynamic Strength: 70 ft-lbs
- Endurance Rating: 250,000 Cycles (UL Tested), 1,000,000 Cycles (Factory Tested), Exceeds Grade 1 Standards)

**SPECIFICATIONS:**

- Voltage: Dual 12/24VDC
- Current Draw: 300mA @ 12VDC, 150mA @ 24VDC
- Latch Throw: 3/4" (19mm)
- Keeper Width: 1 7/16" (36mm)
- Mount: Mortise
- Body Construction: Zinc Alloy

**PATENTS, APPROVALS, AND LISTINGS:**

- UL1034 Burglary-Resistant Listed: BP21351
- UL294 Access Control System Listed: BP21351
- CE: EC741012-01
- Patent: Australia - 2018101170



**PACKAGING INCLUDES:**

- 1 Stainless Steel & 2 Aluminum faceplates for Hollow Metal and Wood Frames
  - ESFP-478 US32D (Faceplate for Metal)
  - ESFP-478 ALUM (Faceplate for Metal)
  - ESFP-715 ALUM (Faceplate for Wood)
- Trim Plate also included, in case of over-cutting to cover up any errors.
- Stick-On Template for easier installation.