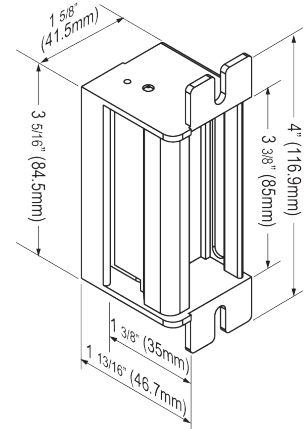


**ES1855**  
 Heavy Duty Electric Strike



**FEATURES:**

- Designed for use with Heavy Duty Cylindrical or Mortise Locksets with or without deadbolt
- Accommodates deadbolts up to 1"
- Sliding keeper shim design for up to 1/8" adjustment for misaligned frames
- Non-Handed, fits Right or Left Handed Doors
- Field Reversible for Fail Safe or Fail Secure Operation
- Static Strength: 1000 lbs (454 kg)
- Dynamic Strength: 33 ft-lbs
- Endurance Rating: 250,000 Cycles (UL Tested), 1,000,000 Cycles (Factory Tested, Exceeds Grade 1 Standards)
- Optional Latch Monitor **LBM185** (for ES1855-M) Indicates when door is latched. It can be mounted in the strike cavity to correspond to latch position.

**PACKAGING INCLUDES:**

- 5 Brushed Stainless Steel faceplates for Aluminum, Hollow Metal, or Wood Door & Frames
- Trim Plate also included, in case of over-cutting to cover up any errors.
- Stick-On Template for easier installation.

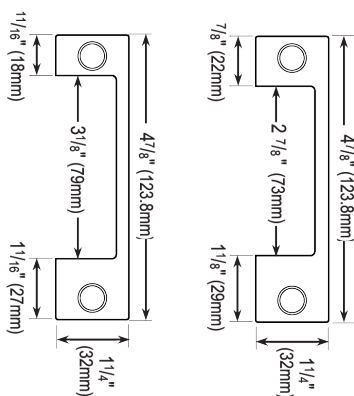
**SPECIFICATIONS:**

- Voltage: Dual 12/24VDC
- Current Draw: 300mA @ 12VDC, 150mA @ 24VDC
- Latch Throw: 1" (25mm)
- Mount: Mortise
- Body Construction: Stainless Steel

**PATENTS, APPROVALS, AND LISTINGS:**

- UL1034 Burglary-Resistant Listed: BP21351
- UL294 Access Control System Listed: BP21351

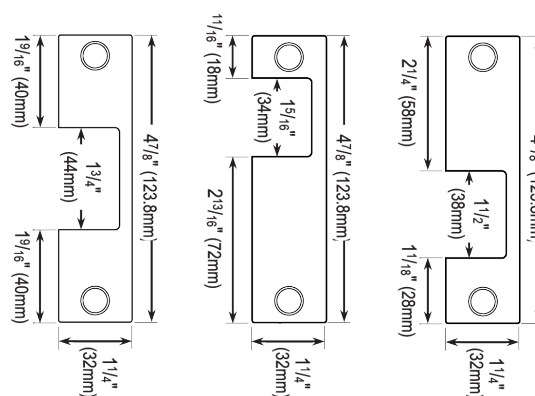
**Deadbolt Latch Installation**



ESFP-318

ESFP-278

**Latchbolt Installation**



ESFP-134

ESFP-156

ESFP-112