

Trim Selection

ESCUTCHEON LEVER DESIGN

CONSTRUCTION

- Free-wheeling clutch mechanism
- Grade 1, thru-bolted design
- Non-handed design
- Available for N-GLS-CVR, and GLS-SVR Type Exit Devices

DOOR THICKNESS

Standard 1 3/4". Extension Kit available for 2 1/4"- 6" thick doors.

ESCUTCHEON DIMENSIONS

1 13/16" width X 8 9/16" length

Lever length: 5"



GLSESC-00

⚙️ ICGLSESC-00

⚙️ ICSCGLSESC-00

ENTRANCE

Clutch free-wheeling Entrance, key locks or unlocks escutcheon trim ANSI Function (08). Operates as classroom function

GLSESC-05

⚙️ ICGLSESC-05

⚙️ ICSCGLSESC-05

STOREROOM

Clutch free-wheeling Storeroom, key unlocks lever, lever retracts latch bolt, otherwise always locked. ANSI Function (09)

GLSESC-30

PASSAGE

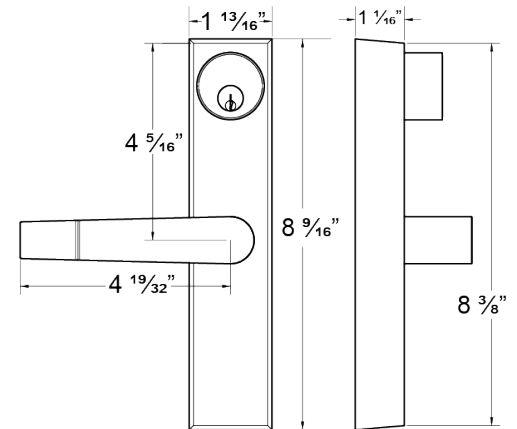
Trim always operable and free ANSI Function (14)

GLSESC-40

DUMMY

Dummy Escutcheon trim ANSI Function (02)

KEYWAY: 6-Pin solid brass "C" keyway Rim Cylinder standard. Optional: Schlage E, Schlage C-K, Russwin D1-2-3-4, Corbin 59/60, Sargent LA-LB-LC, Falcon/Weiser E, Arrow A, Yale 8, Yale GA and Kwikset. Can also accept Medeco, Assa, Kaba and **Cal-Royal HSK** High Secity Cylinders.



NOTES:

- AT, RL, TUB lever design is available upon request.
- **ELECTRIFICATION NOT AVAILABLE FOR TRIM**
- Electrical Latch Retraction (ELR) available for Exit Device only.
- Anti-Microbial Coating available in US26D Only. Use part # "**ANTB-TRIM**" when ordering.

⚙️ **(IC) INTERCHANGEABLE CORE:** Interchangeable Core locks will accept compatible 6 or 7-Pin cores with BEST, FALCON and ARROW

⚙️ **(ICSC) INTERCHANGEABLE CORE:** Indicates function available with **Schlage Full Size Format** Interchangeable Core. Corbin, Sargent and Yale format also available.