

2 HINGES LOAD CAPACITY CHART (kg / lbs)

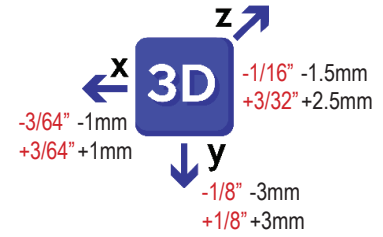
DOOR HEIGHT (mm / in)	2200 86 5/8"	60 132	60 132	60 132	59 130	51 112	46 101	42 93
	2100 82 11/16"	60 132	60 132	60 132	55 121	48 106	44 97	40 88
	2000 78 3/4"	60 132	60 132	60 132	51 112	46 101	42 93	39 86
	1900 74 13/16"	60 132	60 132	55 121	48 106	43 95	40 88	38 84

700 27 9/16"	800 31 1/2"	900 35 7/16"	1000 39 3/8"	1100 43 5/16"	1200 47 1/4"	1300 51 3/16"
DOOR WIDTH (mm / in)						

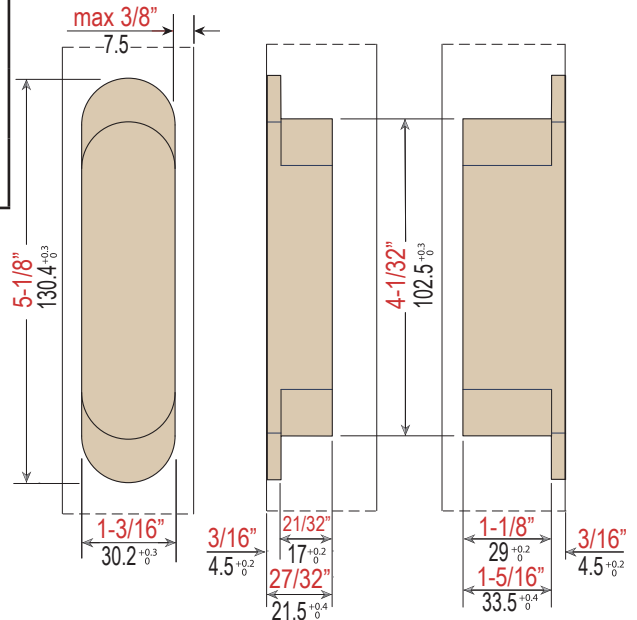
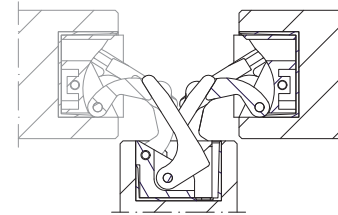
3 HINGES LOAD CAPACITY CHART (kg / lbs)

DOOR HEIGHT (mm / in)	3000 118 1/8"	80 176	80 176	80 176	80 176	80 176	80 176	80 176	4 HINGES SUGGESTED
	2900 114 5/32"	80 176	80 176	80 176	80 176	80 176	80 176	80 176	
	2800 110 1/4"	80 176	80 176	80 176	80 176	80 176	80 176	75 165	
	2700 106 5/16"	80 176	80 176	80 176	80 176	80 176	80 176	71 157	
	2600 102 3/8"	80 176	80 176	80 176	80 176	80 176	76 168	67 148	
	2500 98 7/16"	80 176	80 176	80 176	80 176	80 176	71 157	64 141	
	2400 94 1/2"	80 176	80 176	80 176	80 176	77 170	67 148	61 134	
	2300 90 9/16"	80 176	80 176	80 176	80 176	72 159	64 141	58 128	
	2200 86 3/8"	80 176	80 176	80 176	78 172	67 148	60 132	56 123	
	2100 82 11/16"	80 176	80 176	80 176	72 159	63 139	57 126	54 119	
	2000 78 3/4"	80 176	80 176	80 176	67 148	60 132	55 121	52 115	

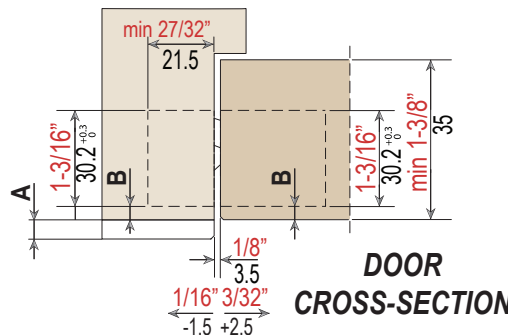
700 27 9/16"	800 31 1/2"	900 35 7/16"	1000 39 3/8"	1100 43 5/16"	1200 47 1/4"	1300 51 3/16"
DOOR WIDTH (mm / in)						



Reversible for doors from:
1 3/8" (35mm) to 2" (50mm)



SLOT MEASUREMENT



DOOR CROSS-SECTION

A	B
0.61" (15.5mm)	0.10" (2.5mm)
0.57" (14.5mm)	0.12" (3mm)
0.53" (13.5mm)	0.14" (3.5mm)
0.49" (12.5mm)	0.16" (4mm)
0.45" (11.5mm)	0.18" (4.5mm)
0.41" (10.5mm)	0.20" (5mm)
0.37" (9.5mm)	0.22" (5.5mm)