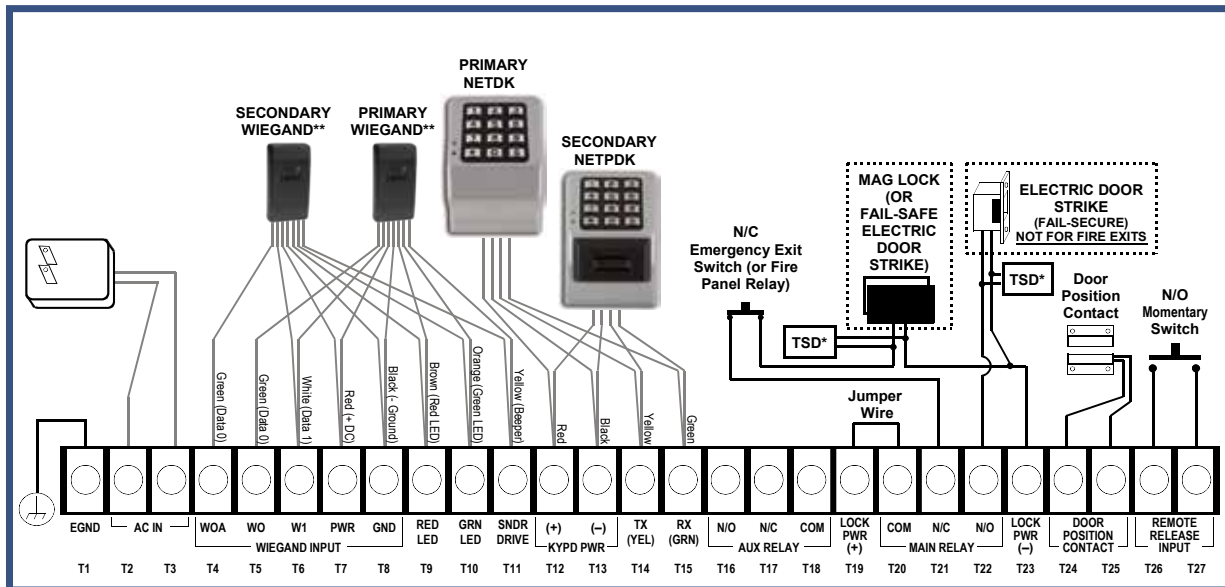


Networkx Keypads & NetPanel

NETWORKX KEYPADS use with Mag Lock, Electric Strike or Wiegand Devices – Control up to 2 Doors



The system is capable of controlling two doors using up to two of any combination of NETDK or NETPDK keypads, PLUS up to two Wiegand devices. Two auxiliary Form-C relays are available for up to two of any combination of magnetic locks and/or electric door strikes.



NETPANEL dedicated access panel Includes

- Circuit board with onboard flash memory; 12V power supply, with transformer and rechargeable backup battery
- Inputs supporting two of any combination of NETDK or NETPDK keypads, PLUS up to two Wiegand devices
- Special "Two Door Mode" allows two keypads and/or two Wiegand devices to separately control two doors
- Two Form-C relays
- Inputs for door position contact to indicate the status of the door, open or closed;
- Inputs for a remote release button or sensor
- Onboard bi-directional Networkx radio
- Wiegand interface, red LED, green LED, and sounder.

Wiegand Device Support

- The NetPanel's Wiegand inputs currently support all Wiegand output devices, that support the Data 0/Data 1 communications protocol and are compatible with HID Prox credentials (including Wiegand keypads and combination units.)

Examples of Wiegand Devices Supported:

- HID Classic Swipe Wiegand Reader Model 310 (36-bit card format compatible).
- HID ProxPro with Keypad Model 5355
- HES model RF5910 Hybrid Electric Strike with HID125k reader

*** Other formats may be accommodated for special orders. Ask you Alarm Lock Representative.

Ordering Info.

NETPDKPAK26D Complete 2-Door Net-Panel System with 1 PDK wireless keypad with built in HID Prox Reader, 26D finish. **** Includes 12 volt power supply, onboard bidirectional radio, 4Ah/12V rechargeable backup battery and plug in AC transformer. (System requires use of one of the AL-IM Series Gateway Modules, separately purchased.)

NETDKPAK26D Complete 2-Door Net-Panel System with 1 DK wireless keypad, 26D finish. **** Includes 12 volt power supply, onboard bidirectional radio, 4Ah/12V rechargeable backup battery and plug in AC transformer. (System requires use of one of the AL-IM Series Gateway Modules, separately purchased.)

NETPDK26D PDK Wireless Keypad with built in HID Prox Reader only, 26D finish. ****

NETDK26D DK Wireless keypad only, 26D finish.

****Note: Special keypad finishes may also be available – ask your Alarm Lock Rep.

NETHIDNSPAK Networkx Narrowstipe Prox point reader, control panel w/door position switch with RX, remote release and battery backup plus plug-in transformer.

NETWORKPANEL Access Control Panel to be used with other approved Wiegand output readers. Includes 12 volt power supply, onboard bidirectional radio, 4Ah/12V rechargeable backup battery and plug in AC transformer.

Networkx Series Accessories

AL-NSG Gateway Simulator

A portable battery powered Networkx Gateway simulation device that generates continuous Gateway radio signals to a Networkx Signal Meter.



AL-NSM Site Survey Tool for Networkx Gateways

Performs a site survey test of the premises to find optimum location of Networkx gateways and locks. Also helps to determine the number of gateways required to cover the signal area of the Networkx locks you plan to install.

