

ACCENTRA®

ASSA ABLOY

Experience a safer
and more open world

nexTouch®

Keypad Locks



The fully modular design of ASSA ABLOY ACCENTRA® nexTouch® allows users to easily upgrade to more advanced security technologies as their requirements grow and change.

Standalone Keypad

Great for restrooms, offices, storage closets and more, nexTouch® as a standalone keypad is easy to install, program, and manage access with PIN codes.



Data-on-Card

In new construction or retrofit projects for multi-family facilities, the data-on-card functionality of nexTouch® pairs with ASSA ABLOY ACCENTRA® software for use with mobile credentials, key cards or fobs.



FEATURES & BENEFITS

Feature	Benefit
Choice of capacitive touchscreen or tactile pushbutton keypad	Touchscreen responds to human touch, enabling convenient entrance or access to programming menu. Pushbutton keypad option also available for more tactile requirements, such as ADA compliance.
Keyless entry and management	Reduces complexity of key system management
PIN code access	Installations are able to be programmed with up to 500 unique PIN codes and a master code for access to programming.
Modular technology	Allows for upgrade to more advanced security technologies with Data-on-Card as requirements change and grow.
Works with cloud-based management software	Single system enables use from anywhere with Internet access from a range of devices, including your computer, smartphone or tablet.
Audit trail	Lifetime audit trail stored within the software to know exactly who has accessed the lock when.
Voice-guided programming in 3 languages	Voice-guided prompts make updates straightforward and effortless in English, Spanish or French.
Three (3) volume modes	Playback can be set for normal, low or silent.
Privacy feature with Door Position Sensor	By holding the interior lock button down for 1.5 seconds, the exterior keypad is temporarily disabled ensuring complete privacy and no additional entry.
Weather resistant gasket seal	Lock is operational even in outdoor settings, in temperatures ranging from -40°F to 140°F (-40°C to 60°C) at 95% relative humidity.
Low battery indicator	Blinking designation signals internal 4 AA alkaline batteries are low.
9V battery power backup feature	With the touch of a 9V battery to the designated area on the front of the lock, your nexTouch® can be powered up for one-time entry.
Hardwire power capable	Can be powered externally using remote 9VDC power supply and plug-in wall transformer.
Keypad lockout feature	Deters tampering by disabling the keypad for a default of 180 seconds after five (5) successive failed attempts.

NEXTOUCH® CYLINDRICAL



Capacitive Touchscreen

Weather Resistant Seal

Touchscreen as shown when not activated



Lockout Mode



Low Battery Indication

9V Battery Power Backup

Optional Cylinder/Key Override



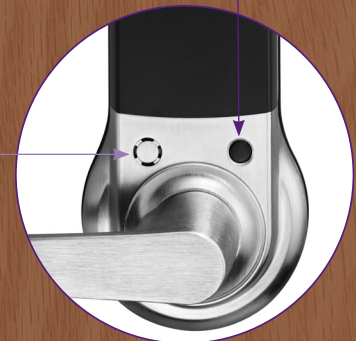
Privacy Button
DPS required



Touchscreen as shown when activated

Pushbutton Keypad Option Available

Voice-Guided Programming



HOW TO ORDER

Cylindrical

Quantity	Lever Design	Series/Function	^Technology	Finish	Advanced Functions	Door Thickness	Cylinder	Latch	Strike
#	AU - Augusta	NTB613 - Bored lock, key override, pushbutton keypad	NR - Keypad only, no radio	605 - Bright brass, clear coated	*DPS	1-3/4" 1-3/8"	1803-53L - 6-pin cylinder standard, see pages 10-11 for additional options ¹	E694 latchbolt with 2-1/4" x 1-1/8" front, 2-3/4" backset and 1/2" bolt throw standard, see page 12 for additional options	497 ANSI strike standard, see page 13 for additional options
	MO - Monroe	NTB623 - Bored lock, key override, capacitive touchscreen keypad		613E - Dark oxidized bronze - equivalent					
	PB - Pacific Beach	NTB633 - Bored lock, no key override, pushbutton keypad		626 - Satin chrome plated					
	TB								
	UB	NTB643 - Bored lock, no key override, capacitive touchscreen		BSP - Black suede powder coat					

¹When ordering SFIC and LFIC cylinders, please use appropriate prefix before lever selection. See page 11 for more information.

*Use DPS option code for Advanced Functions. An Auxiliary Door Position Sensor (DPS) must be installed with the lock to enable both Escape Return and Privacy functions. If DPS is not included in the parts string, the Door Position Sensor will not be supplied with the lock. Note that selecting the DPS option code will incur an upcharge. See current price list.

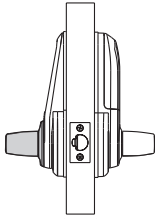
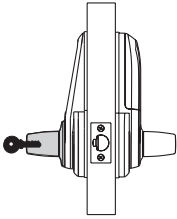
Build Your Order String

Quantity	Lever Design	Series/Function	^Technology	Finish	Advanced Functions	Door Thickness	Cylinder	Latch	Strike
Example:	AU	NTB613	NR	626	DPS	1-3/4"	1803-53L	694	497

^nexTouch® No Radio lock part numbers NTB613, NTB623, NTB633, & NTB643 can be upgraded for use with the ASSA ABLOY ACCENTRA® Cloud platform by installing the ASSA ABLOY ACCENTRA® radio module available to all ASSA ABLOY ACCENTRA® Multi Family Housing Certified Integrators. These part numbers can NOT be upgraded for use with a Z-Wave compatible system.

FUNCTIONS

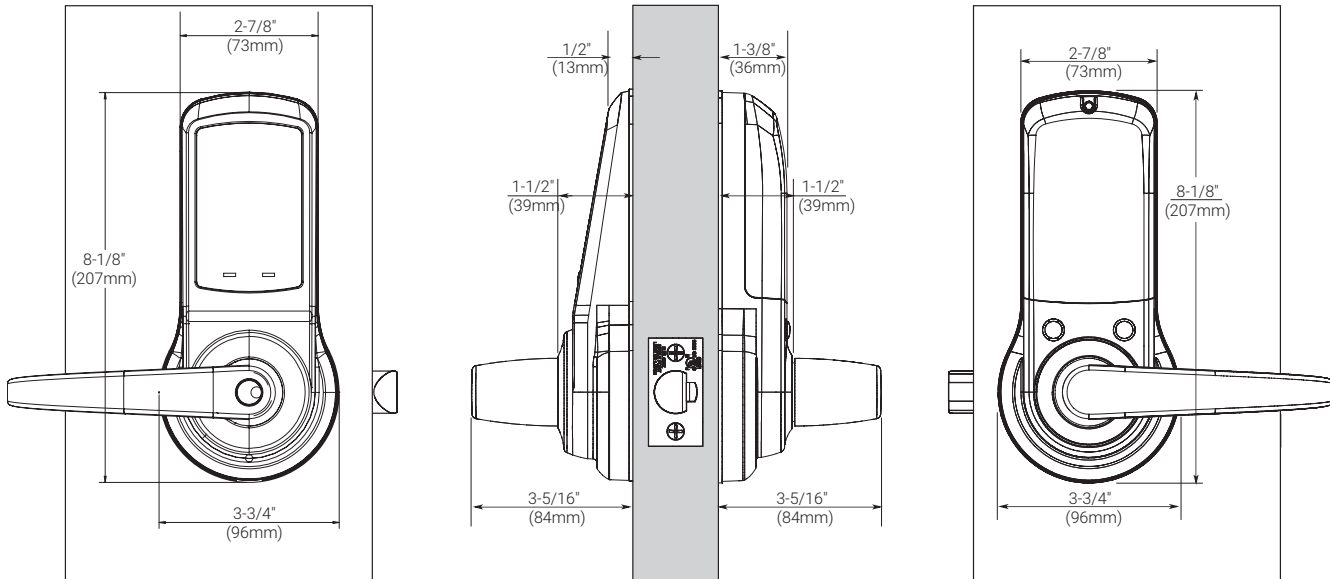
Cylindrical

NTB633 Pushbutton NTB643 Touchscreen	NTB613 Pushbutton NTB623 Touchscreen
<p>Without Cylinder Override</p> <ul style="list-style-type: none"> • For doors that do not require mechanical key override. • Latchbolt retracted by lever outside with valid PIN code, or by operating lever inside. • Inside lever always active. • Deadlocking latchbolt. <div style="text-align: center;">  <p>Outside Inside</p> </div>	<p>With Cylinder Override</p> <ul style="list-style-type: none"> • For doors that require mechanical key override. • Latchbolt retracted by lever outside with valid PIN code; by use of mechanical key, or by operating lever inside. • Inside lever always active. • Deadlocking latchbolt. <div style="text-align: center;">  <p>Outside Inside</p> </div>

DIMENSIONS

CYLINDRICAL

Cylindrical



Dimensions given in inches (mm).