

ACCENTRA®

ASSA ABLOY

Experience a safer
and more open world

nexTouch®

Keypad Locks



The fully modular design of ASSA ABLOY ACCENTRA® nexTouch® allows users to easily upgrade to more advanced security technologies as their requirements grow and change.

Standalone Keypad

Great for restrooms, offices, storage closets and more, nexTouch® as a standalone keypad is easy to install, program, and manage access with PIN codes.



Data-on-Card

In new construction or retrofit projects for multi-family facilities, the data-on-card functionality of nexTouch® pairs with ASSA ABLOY ACCENTRA® software for use with mobile credentials, key cards or fobs.



FEATURES & BENEFITS

Feature	Benefit
Choice of capacitive touchscreen or tactile pushbutton keypad	Touchscreen responds to human touch, enabling convenient entrance or access to programming menu. Pushbutton keypad option also available for more tactile requirements, such as ADA compliance.
Keyless entry and management	Reduces complexity of key system management
PIN code access	Installations are able to be programmed with up to 500 unique PIN codes and a master code for access to programming.
Modular technology	Allows for upgrade to more advanced security technologies with Data-on-Card as requirements change and grow.
Works with cloud-based management software	Single system enables use from anywhere with Internet access from a range of devices, including your computer, smartphone or tablet.
Audit trail	Lifetime audit trail stored within the software to know exactly who has accessed the lock when.
Voice-guided programming in 3 languages	Voice-guided prompts make updates straightforward and effortless in English, Spanish or French.
Three (3) volume modes	Playback can be set for normal, low or silent.
Privacy feature with Door Position Sensor	By holding the interior lock button down for 1.5 seconds, the exterior keypad is temporarily disabled ensuring complete privacy and no additional entry.
Weather resistant gasket seal	Lock is operational even in outdoor settings, in temperatures ranging from -40°F to 140°F (-40°C to 60°C) at 95% relative humidity.
Low battery indicator	Blinking designation signals internal 4 AA alkaline batteries are low.
9V battery power backup feature	With the touch of a 9V battery to the designated area on the front of the lock, your nexTouch® can be powered up for one-time entry.
Hardwire power capable	Can be powered externally using remote 9VDC power supply and plug-in wall transformer.
Keypad lockout feature	Deters tampering by disabling the keypad for a default of 180 seconds after five (5) successive failed attempts.

NEXTOUCH® EXIT TRIM



Weather Resistant Seal



Lockout Mode



Low Battery Indication

Capacitive Touchscreen



Pushbutton keypad option available

9V Battery Power Backup

Standard Mortise Cylinder

Privacy Button

Compatible with a wide range of exit devices, including competitor models (see chart on next page)

EXIT TRIM

HOW TO ORDER

Exit Trim

Quantity	Lever Design	Series/Function	^Technology	Finish	Advanced Functions	Cylinder/Keyway	Hand ¹	Door Thickness
	AU – Augusta MO – Monroe	NTT613 – Exit trim, key override, pushbutton keypad	NR – Keypad only, no radio	605 – Bright brass, clear coated	DPS ²	2153 cylinder keyed random standard, see pages 36-38 for additional options	RHR LHR	1-3/4" 2-1/4"
	PB – Pacific Beach	NTT623 – Exit trim, key override, touchscreen keypad		613E – Dark oxidized bronze - equivalent				
				626 – Satin chrome plated BSP – Black suede powder coat				

1 Lock is field reversible.

2 Use DPS option code for Advanced Functions. An Auxiliary Door Position Sensor (DPS) must be installed with the lock to enable both Escape Return and Privacy functions. If DPS is not included in the parts string, the Door Position Sensor will not be supplied with the lock. Note that selecting the DPS option code will incur an upcharge. See current price list.

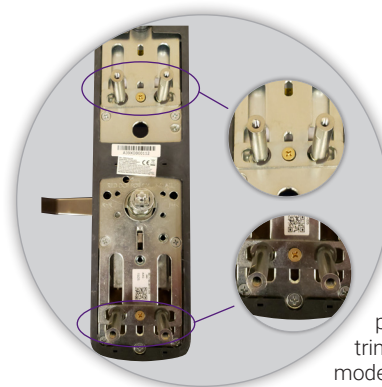
Build Your Order String

Quantity	Lever Design	Series/Function	^Technology	Finish	Advanced Functions	Cylinder/Keyway	Hand	Door Thickness
Example:	AU	NTT623	NR	626	DPS	2153	RHR	1-3/4"

Compatible Exit Devices

Thanks to its patented adjustable mounting posts, nexTouch® exit trim is compatible with several makes and models of exit devices right out of the box, without the need for separate mounting hardware. Check the chart below to see if yours is a fit.

Manufacturer	Model/Series Number*
Arrow	3880, S1250
Cal-Royal	7700
Corbin Russwin	PED/ED5200, PED/ED5200S
DETEX	10
Dorma	9300
Falcon®	25
SARGENT	PE8800/8800
Von Duprin®	98, 99
ASSA ABLOY ACCENTRA®	1800, 2100/2150, 6100/6150, 7100/7150



Patented adjustable mounting posts make the nexTouch® exit trim compatible with many exit device models (see chart at left).

*Compatible with rim device only. Please contact Technical Product Support for more information.

^nexTouch® No Radio lock part numbers NTT613 & NTT623 can be upgraded for use with the ASSA ABLOY ACCENTRA® Cloud platform by installing the ASSA ABLOY ACCENTRA® radio module available to all ASSA ABLOY ACCENTRA® Multi Family Housing Certified Integrators. **These part numbers can NOT be upgraded for use with a Z-Wave compatible system.**

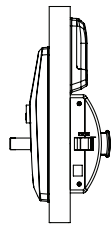
FUNCTIONS

Exit Trim

NTT613 Pushbutton
NTT623 Touchscreen

No Deadbolt With Cylinder Override

- For doors that require mechanical key override.
- Bolt retracted by pushbar on interior and lever on outside except when outside lever is locked.
- Key override unlocks the outside lever only.
- Deadlocking rim bolt.

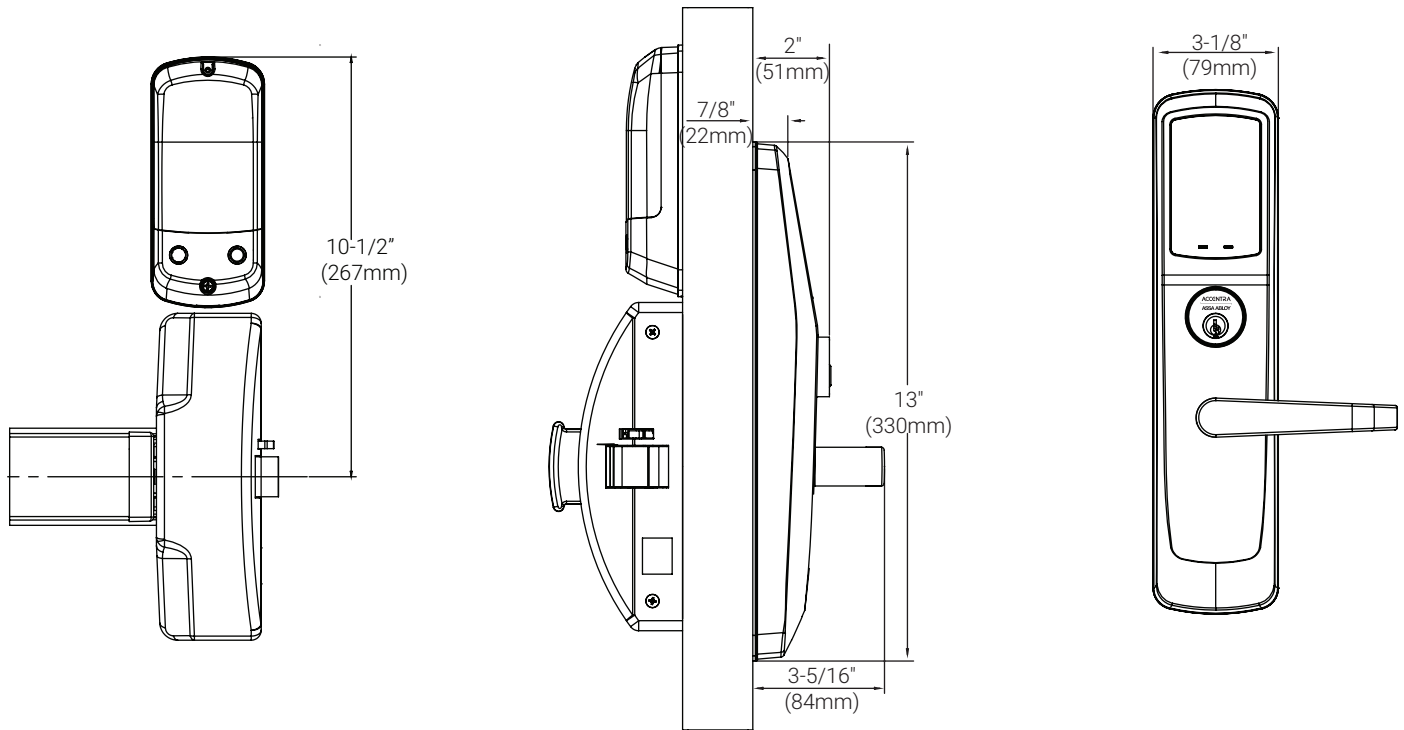


Outside

Inside

Dimensions

Exit Trim



Dimensions given in inches (mm).

EXIT TRIM