

# N-GLS9800 & N-FGLS9800 Series

## GRADE 1 Rim Type Narrow Stile Exit Device

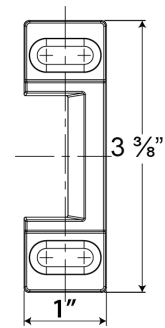
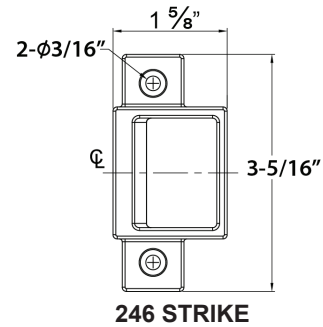


**\*Americans with Disability Act (ADA) compliant**  
**5 lbs opening force**

**\*Refer to the Price List for Stock Sizes and Finishes**

### Specifications

- For Doors** ..... Wood, Metal or Aluminum Glass doors with 1 3/4" minimum stile width, 1 3/4" thickness for single or double door application
- Chassis** ..... Steel Material
- Chassis Cover** ..... Zinc Material
- Mounting** ..... Furnished standard with wood and machine screws. Thru-bolts available upon request.
- End Cap** ..... Stainless Steel Material
- Alarm** ..... Not available
- Hand** ..... Non-Handed
- Latch Bolt** ..... Stainless Steel, 3/4" throw
- Spring** ..... Steel Material
- ANSI Standard** ..... A156.3, Grade 1
- Rail Assembly** ..... Stainless Steel Material
- Strike** ..... 246 (Copper), Optional 247 Strike (Copper)
- Dogging Feature** ..... Allen-type key furnished standard. Optional Cylinder Dogging Kit not available.
- Mullion** ..... Available
- UL and ULC Listed** ..... N-GLS9800 Series for Panic & Safety, N-FGLS9800 Series for Fire Exit hardware for all types of **4' x 8' single doors** and **8' x 10' double doors** for up to 3 hour fire labeled installations. Conforms to ANSI/UL 10C, ANSI/UL 305 standards.
- Electronic Functions**..... ELR (Electrified Latch Retraction) available for both 36" and 48" push bar.
- Anti-Microbial Coating**..... Available on US32D only. Use part # ANTB-EXIT



### DIMENSIONS

Push rail height to finished floor	41" (1041 mm) at center		
Push rail projection			
Neutral	2 1/2" (64 mm)		
Depressed	1 3/4" (45 mm)		
Center case	8" x 3" x 2 3/8" (203 mm x 76 mm x 60 mm)		

MODEL	ACTUAL SIZE	MAXIMUM CUT DOWN	DOOR SIZE
N-GLS9800EO36, N-FGLS9800EO36	35"	9"	27" to 36" door width
N-GLS9800EO48, N-FGLS9800EO48	47"	15"	33" to 48" door width

**NOTES:**

- N-GLS9800 & N-FGLS9800 Exit Devices are intended for use with Narrow Stile applications
- If used for Regular Door/Frames, must cut down device to size, and follow installation for regular door/frame applications.