

# N-GLS7700 & N-FGLS7700 Series

## GRADE 1 Rim Type Narrow Stile Exit Device

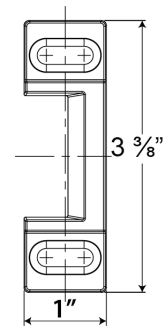
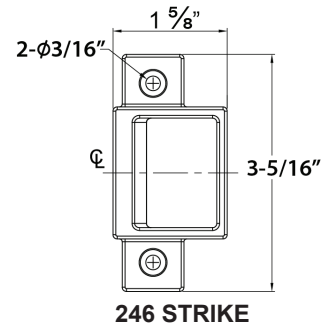


*\*Americans with Disability Act (ADA) compliant  
5 lbs opening force*

*\*Refer to the Price List for Stock Sizes and Finishes*

### Specifications

- For Doors** ..... Wood, Metal or Aluminum Glass doors with 1 3/4" minimum stile width, 1 3/4" thickness for single or double door application
- Chassis** ..... Steel Material
- Chassis Cover** ..... Zinc Material
- Mounting** ..... Furnished standard with wood and machine screws. Thru-bolts available upon request.
- End Cap** ..... Aluminum Material
- Alarm** ..... Available for 36" bar only. Use PART# N48ALRM77
- Hand** ..... Non-Handed
- Latch Bolt** ..... Stainless Steel, 3/4" throw
- Spring** ..... Steel Material
- ANSI Standard** ..... A156.3, Grade 1
- Rail Assembly** ..... Aluminum Material
- Strike** ..... 246 (Copper), Optional 247 Strike (Copper)
- Dogging Feature** ..... Allen-type key furnished standard.  
Cylinder Dogging kit available for 36" bar only. Use PART# 48CD7700
- Mullion** ..... Available
- UL and ULC Listed** ..... N-GLS7700 Series for Panic & Safety, N-FGLS7700 Series for Fire Exit hardware for all types of 4' x 8' single doors and 8' x 10' double doors for up to 3 hour fire labeled installations. Conforms to ANSI/UL 10C, ANSI/UL 305 standards.
- Electronic Functions**..... ELR (Electrified Latch Retraction) available for both 36" and 48" push bar.  
DE (Delayed Egress) available for 36" bar only. Use PART# DEKIT48
- Anti-Microbial Coating**..... Available on US32D only. Use part # ANTB-EXIT



### DIMENSIONS

Push rail height to finished floor	41" (1041 mm) at center
Push rail projection	
Neutral	3 5/8" (92 mm)
Depressed	2 7/8" (73 mm)
Center case	8" x 3" x 2 3/8" (203 mm x 76 mm x 60 mm)

MODEL	ACTUAL SIZE	MAXIMUM CUT DOWN	DOOR SIZE
N-GLS7700EO36, N-FGLS7700EO36	35"	10"	26" to 36" door width
N-GLS7700EO48, N-FGLS7700EO48	46 3/4"	13"	35" to 48" door width

**NOTES:**

- N-GLS7700 & N-FGLS7700 Exit Devices are intended for use with Narrow Stile applications
- If used for Regular Door/Frames, must cut down device to size, and follow installation for regular door/frame applications.