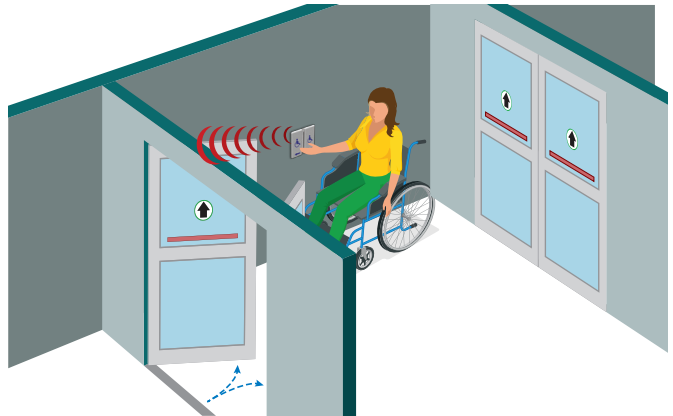
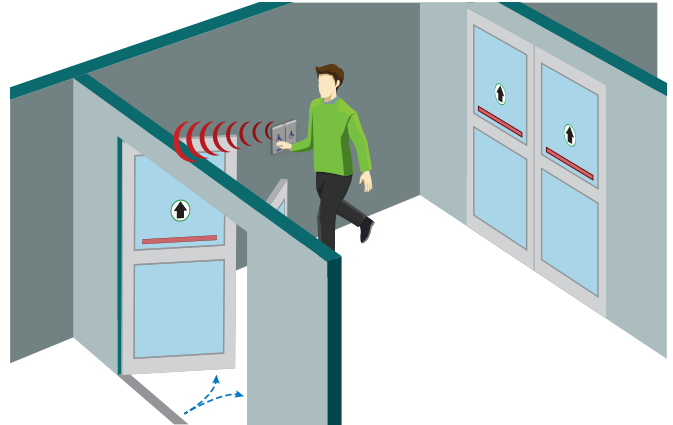


VESTIBULE PUSH PLATE

STAINLESS STEEL ACTUATOR



PRIMARY APPLICATIONS



DESCRIPTION

BEA's vestibule push plate improve overall access, enhance accessibility for those with limited mobility and disabilities and seamlessly integrate with an automatic door's activation.

These ADA-compliant push plates combine two jamb style plates that fit into one double gang mounting box for ease of installation.

This push plates may be hard wired to the door operator or connected to BEA's line of wireless transmitters.

FEATURES & BENEFITS

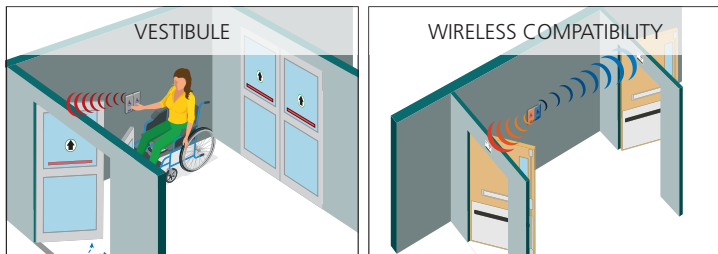
- $\frac{1}{16}$ inch thick stainless steel for maximum durability
- Concealed fasteners to minimize vandalism
- Complete kits available including plates, mounting boxes and optional wireless devices for ease of ordering
- Compatible with both surface and flush mount boxes



BEA, Inc.
RIDC Park West
100 Enterprise Drive
Pittsburgh, PA 15275-1213

Customer Service: 800.523.2462
Technical Support: 800.407.4545
www.BEAinc.com

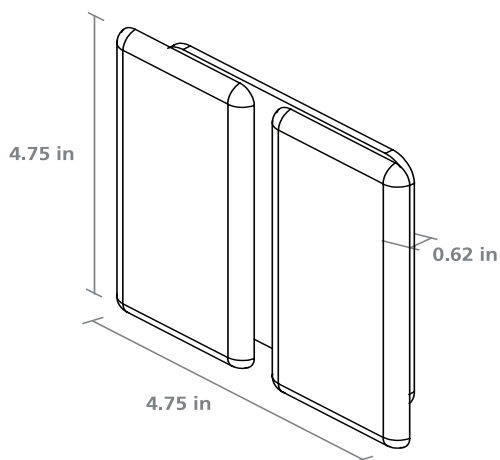
APPLICATIONS



TECHNICAL SPECIFICATIONS

Faceplate Material	16 gauge, 304 2B Stainless Steel
Backplate Material	1/8 inch thick, Aluminum
Mounting Screws	Stainless Steel, 6-32 x 1 in & 8-32 x 1 in Allen Head Size: 5/64
Cherry Switch	Single-pole, 15 A, COM / NO / NC, UL Recognized
Compatible Wireless Frequencies	900, 433 or 300 MHz
Faceplate Dimensions	4.75 in (W) x 4.75 in (H) x 0.62 in (D)

DIMENSIONAL DRAWINGS



RELATED PRODUCTS



10PBDGP1

"PUSH TO OPEN" TEXT
& HANDICAP LOGO

www.BEAinc.com

© 2018 BEA, Inc. All rights reserved.

VESTIBULE PUSH PLATE STAINLESS STEEL ACTUATOR

BEA, Inc.
RIDC Park West
100 Enterprise Drive
Pittsburgh, PA 15275-1213

Customer Service: 800.523.2462
Technical Support: 800.407.4545

