

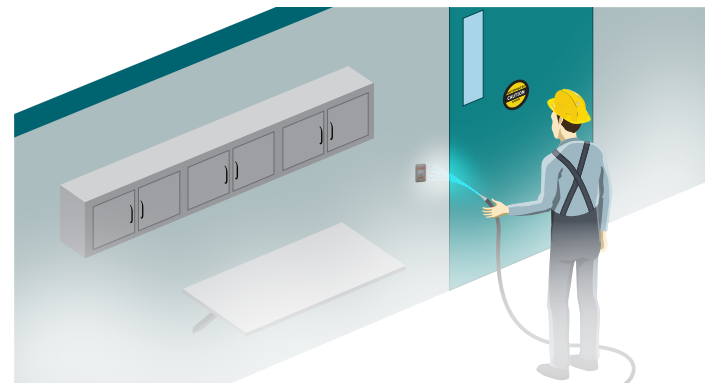
# PIEZO BUTTON

## HEAVY DUTY, PIEZOELECTRIC PUSH BUTTON



SHOWN ABOVE IN ALL THREE ILLUMINATION STATES:  
RED, GREEN, OFF

### PRIMARY APPLICATIONS



### DESCRIPTION

BEA's Piezo Button is a heavy-duty button, with a stainless steel faceplate appropriate for extreme environments, such as outdoor and industrial applications. This push button utilizes piezoelectric technology to convert physical touch (pressure) of the push button from mechanical to electrical energy.

The Piezo Button has an adjustable output timer ranging from 1 to 40 seconds.

### FEATURES & BENEFITS

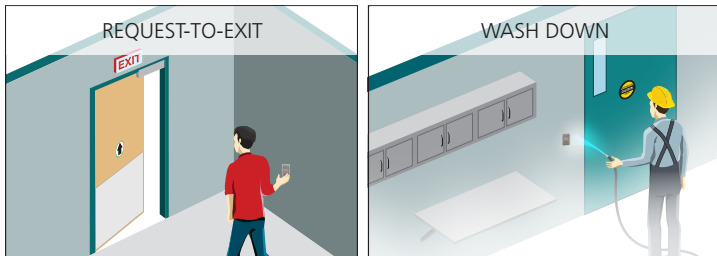
- 1 – 40 second, user-adjustable output hold time
- Can be configured to fail-safe or fail-secure
- Can be wired normally open or normally closed
- Fits standard, single gang mounting boxes
- LED illumination can be customized to user preference
- Vandal / tamper resistant design



BEA, Inc.  
RIDC Park West  
100 Enterprise Drive  
Pittsburgh, PA 15275-1213

Customer Service: 800.523.2462  
Technical Support: 800.407.4545  
www.BEAinc.com

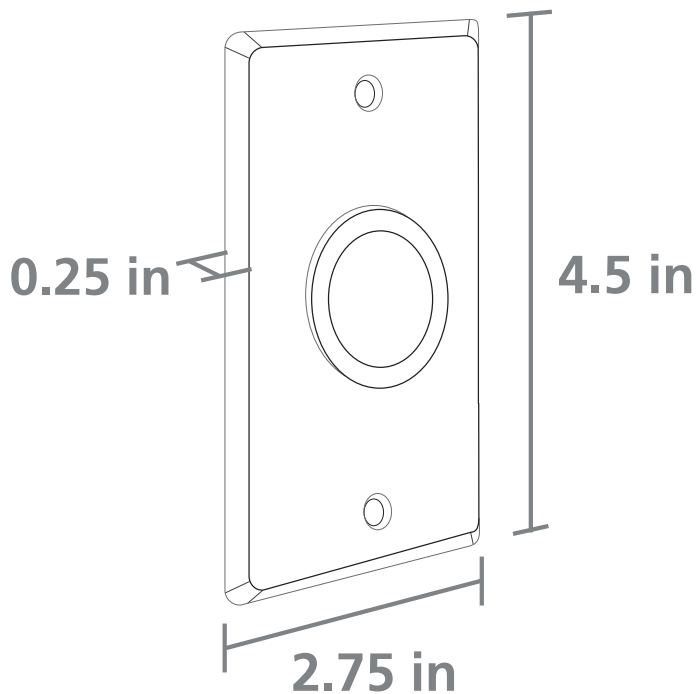
## APPLICATIONS



## TECHNICAL SPECIFICATIONS

<b>Technology</b>	Piezoelectric
<b>Faceplate Dimensions</b>	Single Gang - 2.75 in (W) × 4.5 in (H)
<b>LED Configuration</b>	Illuminated Red / Green ring that signals activation, which can also be disabled
<b>Materials</b>	Stainless steel faceplate with tamper-resistant screws
<b>Switch Rating</b>	2 A @ 30 VDC 500 mA @ 125 VAC
<b>Hold Time Range (adjustable)</b>	1 s – 40 s
<b>Voltage Input</b>	12 – 24 VDC (auto-sensing)
<b>Relay</b>	DPDT
<b>Operating Temperature</b>	–40 °F – 160 °F
<b>Norm Conformance</b>	NEMA 4 / IP65

## DIMENSIONAL DRAWINGS



## RELATED PRODUCTS



10PIEZO241  
SINGLE,  
TEXT ONLY



10BOX245GSM  
STANDARD  
SURFACE MOUNT

[www.BEAinc.com](http://www.BEAinc.com)

© 2017 BEA, Inc. All rights reserved.

**PIEZO BUTTON**

HEAVY DUTY, PIEZOELECTRIC PUSH BUTTON

BEA, Inc.  
RIDC Park West  
100 Enterprise Drive  
Pittsburgh, PA 15275-1213

Customer Service: 800.523.2462  
Technical Support: 800.407.4545

