

# 300 SERIES

ANSI 156.4 Grade 1, Full Cover Multi-Size, Full Feature Closer  
UL Listed, Conforms to Standards UL10C and UBC7-2-1997  
Lifetime Warranty



- Meets and Exceeds ANSI Standard 156.4 Grade 1
- Universal Hole Pattern Offering Versatility and Precision Engineering for New and Retrofit Market
- Multi Size and Adjustable Commercial Door Closer Sizes 1 thru 4 and 3 thru 6 Meeting Barrier Free Applications
- Hydraulic Door Closer with Standard Back-Check
- Full Plastic Cover is Standard Feature
- Optional Adjustable Delayed Action for Handicapped or Elderly

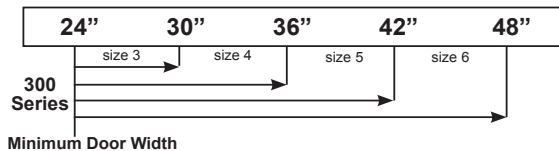


## TABLE OF SIZES

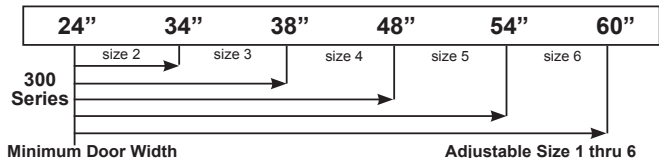
Closing power of closers may be adjusted 50%

→ Shows recommended range of door width for closer size.

### EXTERIOR (and VESTIBULE) DOOR WIDTH



### INTERIOR DOOR WIDTH

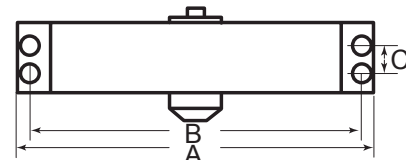


## FEATURES

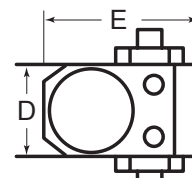
- Factory Tested to Meet or Exceed ANSI Standard 156.4 Grade 1
- **300 PBFCOV**: Non-Sized, Fully Adjustable 1 through 4, (Barrier Free ADA). Full cover. For 30-185 lbs Door Weight
- **300 PCOV**: Non-Sized, Fully Adjustable 3 through 6. Full cover. For 85-260 lbs Door Weight
- Hydraulic Door Closer with Standard Adjustable Back-Check Valve
- Standard Full Plastic Cover (2 5/8" W x 3" H x 10 1/8" L) **COV / 400**
- Universal Mounting - Standard Size #4 Mounting Holes. (9-1/16")
- Finishes Available: Alum, Dark Bronze (Duro), Gold and US3
- Dual Valve, Closing and Latching Speed Controlled by Two Separate Regulating Valves
- Universal Application, Non-Handed, Designed for All Standard Installations

DIMENSION DESCRIPTION	300PBFCOV / 300PCOV
A. Length of Closer Body	9 3/4"
B. Horizontal Mounting Holes	9 1/16"
C. Vertical Mounting Holes	3/4"
D. Height of Closer Body	1 3/4"
E. Projection from Door	2 7/8"

## SPECIFICATIONS

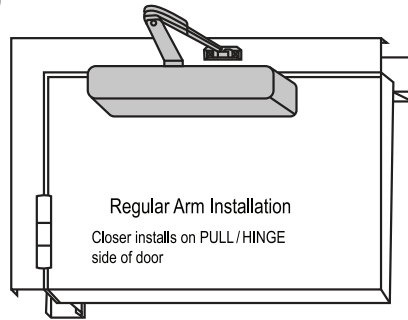
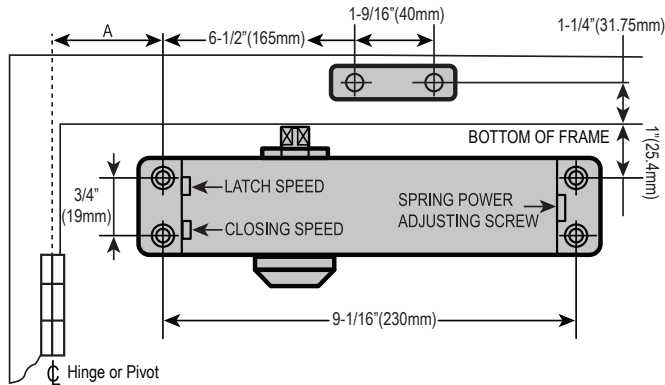


### FRONT VIEW

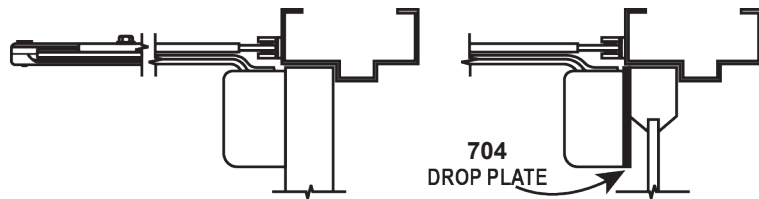


### 300 Series END VIEW

## 300 SERIES : REGULAR ARM INSTALLATION (PULL SIDE)

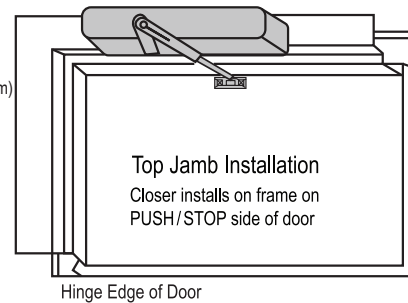
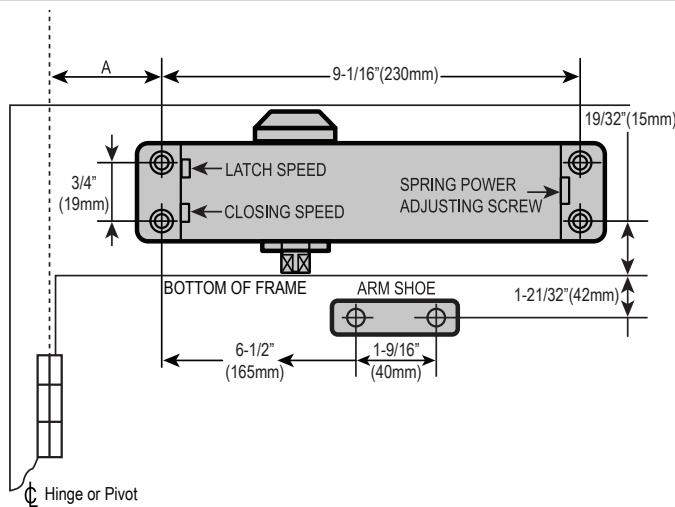


OPENING	DIM A
TO 100°	4-23/32" (120mm)
TO 100° - 120°	4-23/32" (120mm)
OVER 180°	3-5/32" (80mm)

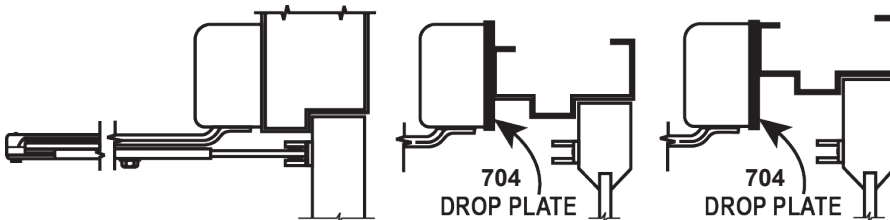


- RIGHT HAND DOOR SHOWN
- LEFT HAND DOOR OPPOSITE
- DIMENSIONS ARE IN INCHES
- DRAWING NOT TO SCALE

## 300 SERIES : TOP JAMB INSTALLATION (PUSH SIDE)

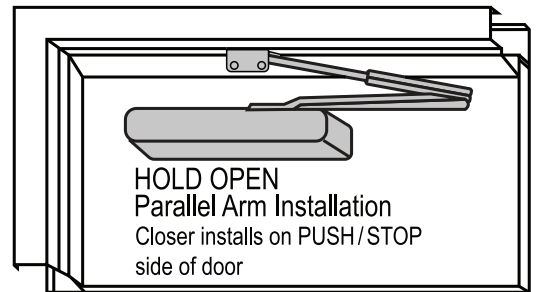
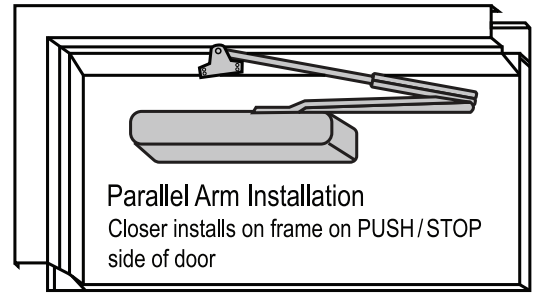
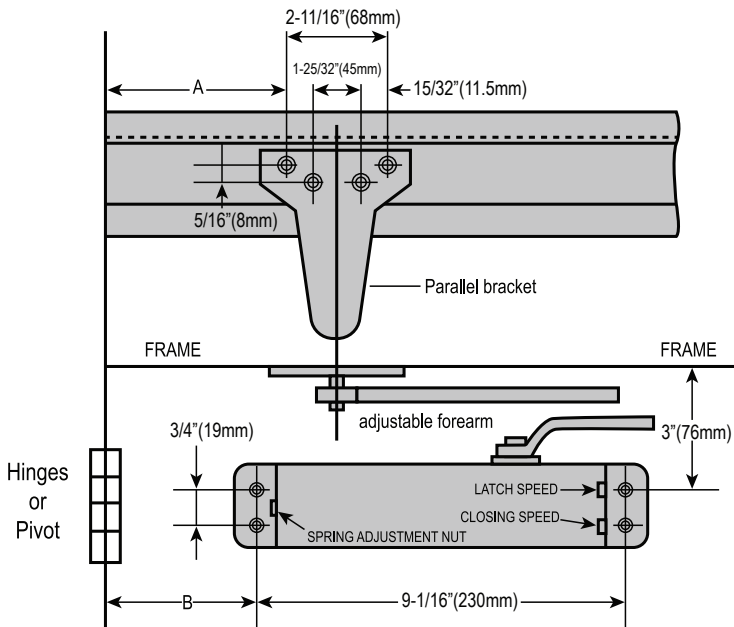


OPENING	DIM A
TO 100°	5-1/2" (140 mm)
100° 120°	5-1/8" (130 mm)
OVER 180°	3-17/22" (90 mm)



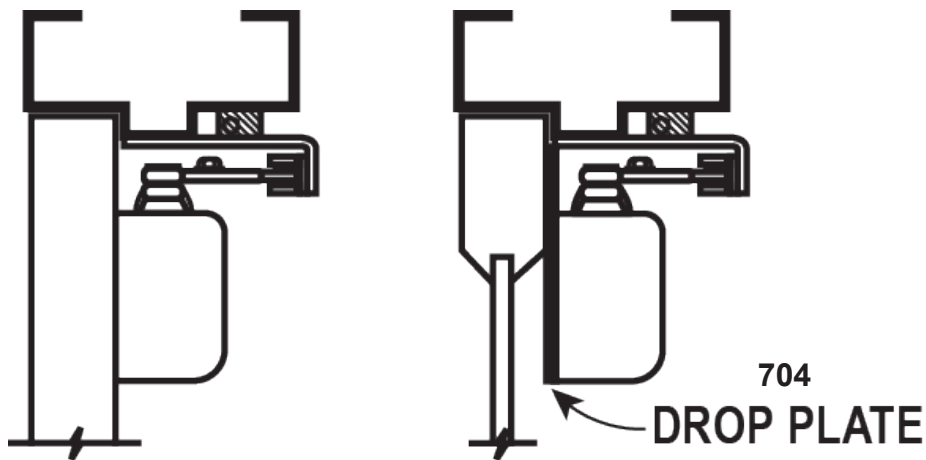
- LEFT HAND DOOR SHOWN
- RIGHT HAND DOOR OPPOSITE
- DIMENSIONS ARE IN INCHES
- DRAWING NOT TO SCALE

## 300 SERIES : PARALLEL ARM INSTALLATION (PUSH SIDE)



OPENING	DIM A	DIM B
TO 100°	7-7/8" (200 mm)	5-29/32" (150 mm)
120° - 180°	6-11/16" (170 mm)	4-23/32" (120 mm)

- LEFT HAND DOOR SHOWN
- RIGHT HAND DOOR OPPOSITE
- DIMENSIONS ARE IN INCHES
- DRAWING NOT TO SCALE



## OPTIONAL INSTALLATION

<p><b>REGULAR ARM (PULL SIDE)</b></p>	<p><b>MAXIMUM OPENING: 180° (Standard), 120° (Hold Open)</b></p> <p><b>OPTIONAL INSTALLATION ARMS</b></p> <ul style="list-style-type: none"> <li>• 301 / 302 - Hold-Open Arm &amp; Parallel Bracket</li> <li>• TRACK / 900 - Slide Track Arm with Removable Hold-Open</li> </ul>
<p><b>TOP JAMB (PUSH SIDE)</b></p>	<p><b>BRACKETS</b></p> <ul style="list-style-type: none"> <li>• 704 - Flat Drop Bracket</li> </ul>
<p><b>PARALLEL ARM (PUSH SIDE)</b></p>	<p><b>MAXIMUM OPENING: 180° (Standard), 120° (Hold Open)</b></p> <p><b>OPTIONAL INSTALLATION ARMS</b></p> <ul style="list-style-type: none"> <li>• 301 / 302 - Hold Open Arm &amp; Parallel Bracket</li> <li>• TRACK / 900 - Slide Track Arm with Removable Hold-Open</li> </ul> <p><b>BRACKETS</b></p> <ul style="list-style-type: none"> <li>• 704 - Flat Drop Bracket</li> <li>• 904 - Parallel Arm Drop Bracket for Non-Hold Open Parallel Arm Applications to Clear a Surface-Applied Stop / Holder</li> <li>• 905 - Parallel Arm Bracket</li> </ul>

			
<p><b>904</b></p> <ul style="list-style-type: none"> <li>• Parallel arm drop bracket</li> <li>• Non-handed</li> <li>• Required for non-hold open parallel arm applications</li> <li>• To clear a surface-applied stop / holder</li> </ul>	<p><b>905</b></p> <ul style="list-style-type: none"> <li>• Parallel arm bracket</li> <li>• Non-handed</li> </ul>	<p><b>704</b></p> <ul style="list-style-type: none"> <li>• Flat drop bracket</li> <li>• Non-handed</li> </ul>	<p><b>301 / 302</b></p> <ul style="list-style-type: none"> <li>• Hold-Open Arm and Parallel Bracket</li> <li>• Forged Steel Constructions</li> <li>• Non-handed</li> </ul>
			
<p><b>970138</b></p> <ul style="list-style-type: none"> <li>• Sex bolts for 1 3/8" doors</li> <li>• Female part only</li> <li>• 1/4" – 20 (set of 4)</li> <li>• For Steel Door Application</li> </ul>	<p><b>970</b></p> <ul style="list-style-type: none"> <li>• Sex bolts</li> <li>• Female part only</li> <li>• 1/4" – 20 (set of 4)</li> <li>• For Steel Door Application</li> </ul>	<p><b>TRACK / 900</b></p> <ul style="list-style-type: none"> <li>• Slide track arm</li> <li>• With removable hold-open clip</li> <li>• Non-handed</li> </ul>	<p><b>COV / 400</b></p> <ul style="list-style-type: none"> <li>• Full cover</li> <li>• Non-handed</li> <li>• Plastic Material</li> </ul>