

Trim Selection

CLUTCH LEVER ESCUTCHEON

CONSTRUCTION

- Non-Ferrous Alloy Material
- Clutch Mechanism
- Double Heavy Duty Spring Support to prevent sagging and enhance operation
- Grade 1, Thru-Bolted design. Non-Handed design.
- Easily field reversible
- Hardened Steel Heavy Duty Spindle.
- Available for Fire and Non-Fire Rated Rim and Vertical Rod Exit Devices
- Standard 6-Pin Schlage "C" Mortise Cylinder included

DOOR THICKNESS

Standard 1 3/4" to 2". For 2 1/4" thick door use additional **Part # TAIL3**

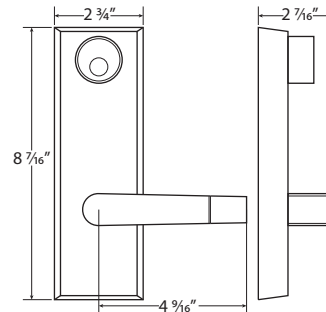
ESCUTCHEON DIMENSIONS

2 3/4" width x 8 7/16" length. Lever length: 4 9/16".

Fits and covers 2 1/8" 161 cutout

TO ORDER other lever design insert "RL" or "TUB" before "ESC":

e.g. **RLESC6600** for ESC6600 with RL design or **TUBESC6600** for ESC6600 with TUB design



ESC6600	ENTRANCE
● ICESC6600	Clutch Entrance, key locks or unlocks escutcheon trim
● ICSCESC6600	ANSI Function (08) Operates as classroom function
ESC6605	STOREROOM
● ICESC6605	Clutch Storeroom, key unlocks lever, lever retracts latch bolt, otherwise always locked. ANSI Function (09)
● ICSCESC6605	
ESC6630	PASSAGE
	Trim always operable and free. ANSI Function (14)
ESC6640	DUMMY
	Dummy Escutcheon trim ANSI Function (02)

KEYWAY: 6-Pin solid brass "C" keyway Mortise Cylinder standard. Optional: Schlage E, Schlage C-K, Russwin D1-2-3-4, Corbin 59/60, Sargent LA-LB-LC, Falcon/Weiser E, Arrow A, Yale 8, Yale GA and Kwikset. Can also accept Medeco, Assa, Kaba and **Cal-Royal HSK High Security** Cylinders.

● (IC) **INTERCHANGEABLE CORE** locks will accept compatible 6 or 7-Pin cores with **BEST, FALCON and ARROW**.

● (ICSC) **INTERCHANGEABLE CORE** available with **Schlage Full Size Format. Corbin, Sargent and Yale** format also available.

Lever Trim Designs



ESC6600



RLESC6600



TUBESC6600

Anti-Microbial Coating available in US26D Only. Use part # "**ANTB-TRIM**" when ordering.