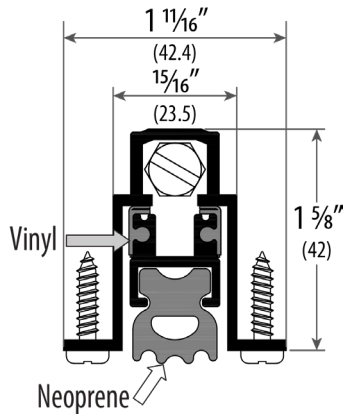
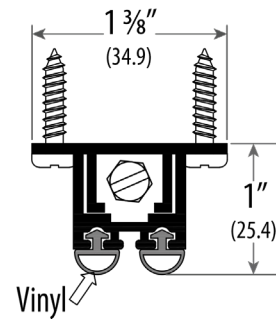


**Testing/Ratings:**



**ADB-704**

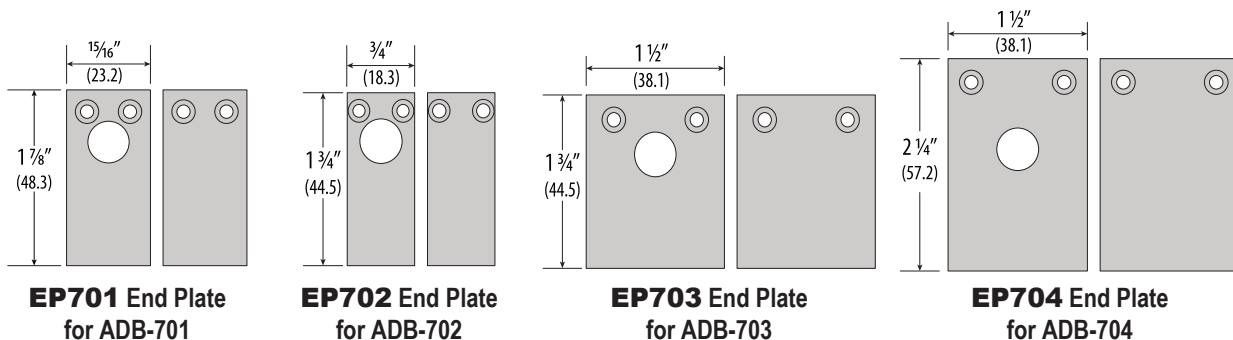
Finish Options: AN, DN  
 Length Available: 36", 48"  
 Max. Drop: 7/8" (22.2mm)  
 Heavy Duty, **Mortised** Applications  
 for use with Wood Doors  
 Supplied with Closed Cell Sponge **Neoprene**  
 Comes Standard with #6 x 3/4" PPHSDS



**ADB-705**

Finish Options: AV, DV  
 Length Available: 36", 48"  
 Max. Drop: 1/2" (12.7mm)  
 Regular Duty, **Mortised** Applications  
 for use with Hollow Metal Doors  
 Supplied with **Vinyl** Seal  
 Not supplied with End Plates  
 Comes Standard with #6 x 3/4" PPHSDS

**Note: Products shown in this section are not drawn to scale. | Available Finishes: AN** (Mill Finish Aluminum with Neoprene Insert) | **DN** (Dark Bronze Anodized Aluminum with Neoprene Insert) | **AV** (Mill Finish Aluminum with Vinyl Insert) | **DV** (Dark Bronze Anodized Aluminum with Vinyl Insert)



- » Anodized Aluminum plates at 0.063" thick.
- » End Plates are available for both ends and can easily be removed without taking door off the frame.
- » All Automatic Door Bottom models are provided with end plates (except ADB-705) with screws to protect the mechanism and for aesthetics.