



Detex Corporation, 302 Detex Drive, New Braunfels, Texas 78130-3045
830-629-2900 / 800-729-3839 / Fax 800-653-3839 / Text photos only: 830-481-6433 / INTERNET: www.detex.com

ELECTRICAL INSTRUCTIONS FOR VALUE SERIES EB, EA, EX & EBxW MODELS

Dwg #: 101800 RIM
102400 RIM "W"
103550 SVR

- EB - Exit Alarm (Battery only)**
- EA - Exit Alarm**
- EX - Request to exit**
- EXV - Request to exit (3 amp)**
- EXxW - Request to exit, weatherized**
- EXVxW - Request to exit (5 amp), weatherized**
- EBxW - Electrified with battery, weatherized**

U.S. PATENT NUMBERS:
6009732
6205825B1
6532777B2
INTERNATIONAL PATENT NUMBER:
PCT6009732

Table of Contents	Page
Device parts breakdown view.....	2
Device parts breakdown list with part numbers.....	3
EB/EA Alarm Operations.....	4
EB/EA Switch Options, EB/EA & EBxW wiring details.....	5
Cut down procedure, EX wiring details, Power Transfer Options.....	6
EA Troubleshooting / Optional Accessories.....	7

Should you have a Question/Problem with your Detex device please call Detex Technical Support from the job site at 1-800-729-3839 and choose option 2 on our menu. Please do not return the product to the distributor.

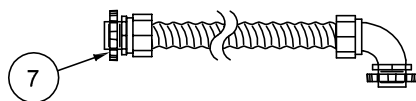
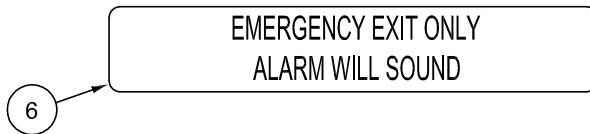
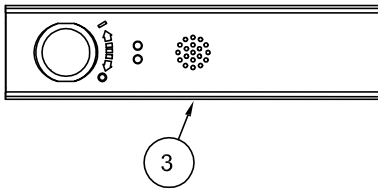
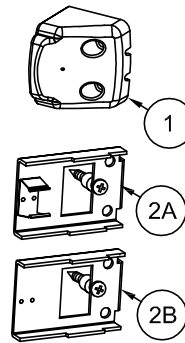
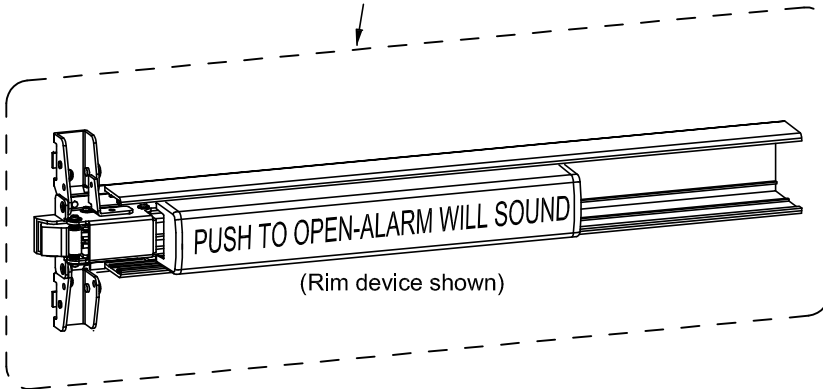
For **WARRANTY** information,
scan code below or
go to www.detex.com/warranty



For device installation videos,
scan code below or
go to www.detex.com/videos



See instruction 101275



PARTS BREAKDOWN		
Item	Order Part #	Description
1	101822	Endcap
2A	101844	Endcap bracket with battery holder
2B	101844-1	Endcap bracket without battery holder
3	104358-4	Fillerplate Subassembly, EB, 3 ft
	104358-8	Fillerplate Subassembly, EB, 4 ft
	104358-1	Fillerplate Subassembly, EA, 3 ft
	104358-5	Fillerplate Subassembly, EA, 4 ft
	104358-3	Fillerplate Subassembly, EBxW, 3 ft
	104358-7	Fillerplate Subassembly, EBxW, 4 ft
	104287-2	Fillerplate Subassembly, EXxW, 3 ft LD
	104287-4	Fillerplate Subassembly, EXxW, 4 ft LD
4	100783	Cylinder Hex Nut
5	PP-5567	9V Battery
6	EA-561	Door Sign
7	FC3	Armored Cable, 3ft
	FC10	Armored Cable, 10ft
	FC3W	Weatherized Armored Cable, 3ft
	FC10W	Weatherized Armored Cable, 10ft

Your particular part or configuration may not be shown:
Contact Detex technical support at 800-729-3839 (option 2)

EB / EA / EBxW ALARM OPERATIONS

Note: Unit is shipped with Auto Rearm turned OFF and Status Indicator turned OFF

Refer to tables 1, 2 & 3 on page 5

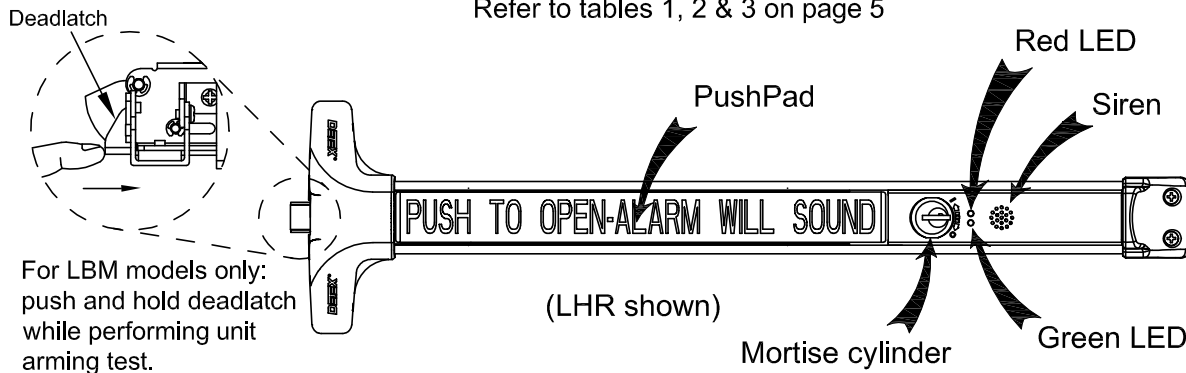


Figure 1 Device features.

SPECIAL NOTES and DEFINITIONS

1. When operating the ON/OFF switch, there is a slight delay.
2. The key is inserted and removed only in the horizontal position (home position).
3. Key function: counter clockwise (CCW) = Armed; clockwise (CW) = Disarmed

UNIT ARMING TEST:

1. Turn key counterclockwise (CCW) (key is removable after rotating back to horizontal position).
2. Red LED will flash twice, then green LED will flash continuously for the 15 second delay time, then turn off.
The siren will sound three short beeps indicating the unit is armed.
3. Depress Pushpad (Siren will sound and red LED will illuminate).
4. Turn key clockwise (CW). Turns alarm off.

LOW BATTERY ALERT:

1. Siren will beep and red LED will blink at approximately 45 second intervals when battery is low.

DOGGING FEATURE: (non-fire rated units only)

1. Depress Pushpad.
2. While holding Pushpad depressed, turn key clockwise (CW). Pushpad should remain depressed & latch retracted.
(Key is removable after rotating back to horizontal position)
3. Unit is now disarmed.

SILENT ARMING: (wires not included on EB model)

Disarm the device by turning the key CW. Remove all power from device. Short the two violet remote bypass wires together (see Fig 3 & Table 4). Depress pushpad switch. Add power (battery or AC). Red and green leds blink and siren chirps twice. After approximately 5 seconds remove the short from the violet wires and release pushpad switch. Finish making any required connections per the instructions. Repeating these steps will enable audible arming again.

Care and Maintenance: The Value Series® devices are designed to provide many years of maintenance free service under normal usage. Periodically inspect and lubricate the unit to extend its life.

EB / EA / EBxW SWITCH OPTIONS

Switch selections can be made at any time (See Figure 2)

Table 1	
Status Indicator	Status Description
Off (default)	The Device gives no indication of armed or disarmed status. (Gives the longest battery life)
On	The Device flashes red or green LED every 3 seconds. Red indicates armed status and green indicates disarmed.

Table 2	
Auto rearm	Auto Rearming Feature Setting
Off (default)	Alarm sounds until turned off with key. Extended bypass is enabled.
On	Unit sounds alarm for 2 minutes after bar is released. Alarm will automatically rearm after 2 minutes.

Table 3 (Switch available on EA)	
Note: AC power must be applied for switch to operate	
Disable Low Battery	Status Description
Off (default)	The device flashes one red LED and one beep about every 45 seconds when the battery needs to be changed.
On	The device gives no indication of battery being low.

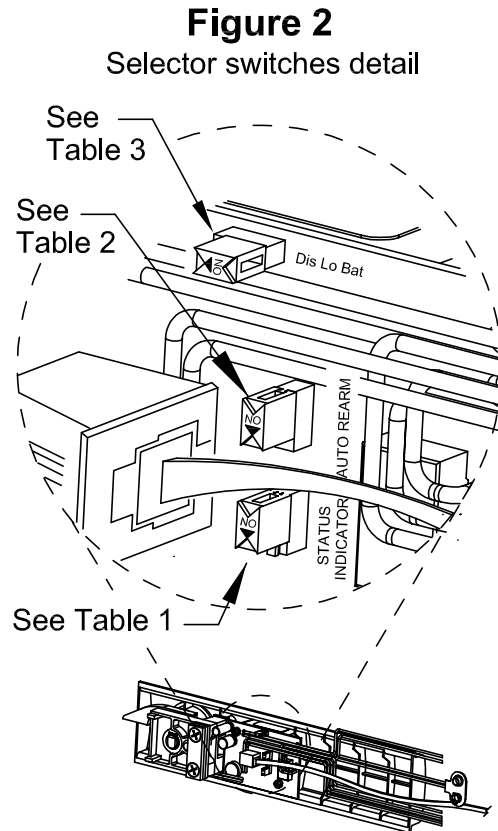
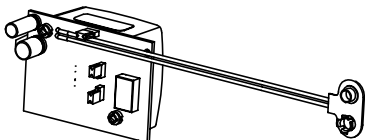


Figure 3
WIRING DETAIL

EB shown below



EA shown below

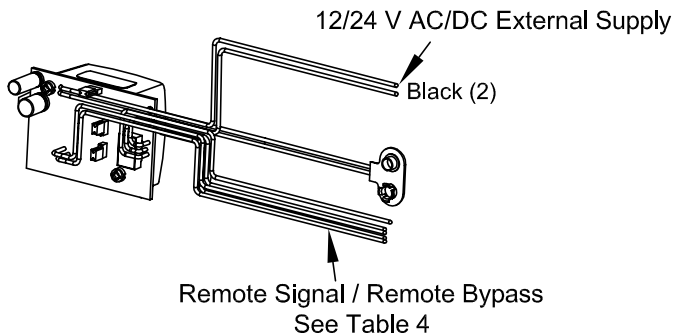
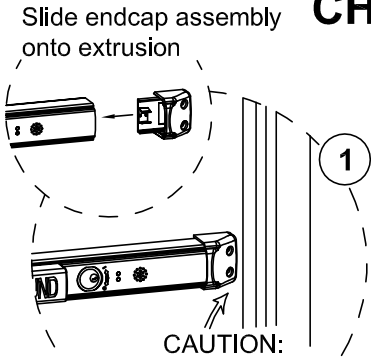


Table 4 (EA & EBxW wire usage)			
Remote Signal		Remote Bypass	
Brown	Common	Violet	N.O. contact
Yellow	Normally Open	Violet	N.O. contact
Green	Normally Closed	---	---
Contacts rated at 1.0A @ 30VDC or 0.5A @ 125VAC			

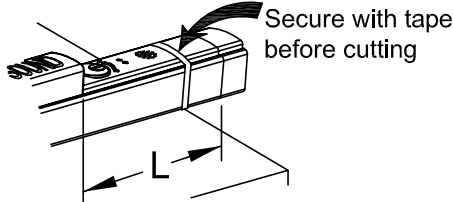
Note: **EBxW** same as above, but **DOES NOT** have black wires for 12/24 V AC/DC connection

CHECKING FOR DEVICE CLEARANCE

(Cut-Off procedure if required)



2 Cut fillerplate and extrusion STRAIGHT & SQUARE to desired length and deburr

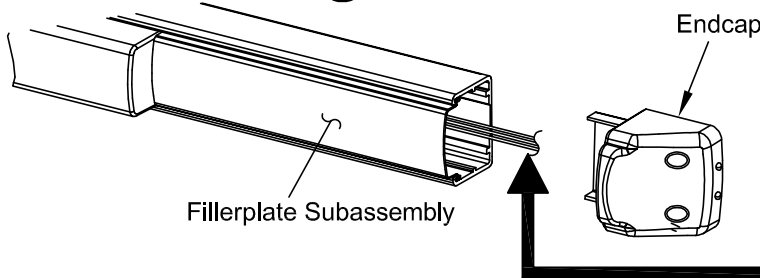


CAUTION:
Check for device and door frame clearance.
If no cut-off needed, proceed to the next section.

Minimum Fillerplate Length	
Type	Length (L)
EX x LD	3"
EX x (HD/CD)	3"
EA / EB / EBxW	7"

For further Cut-Down information, see:
www.detex.com/cutdown

"EX" Wiring Instruction



EX EXxW (0.1A)

Wire Color	Connection
Brown	Common
Gray	Closed
Yellow	Open

EXV (3A) EXVxW (5A)

Wire Color	Connection
Brown/Red	Common
Gray/Red	Closed
Yellow/Red	Open

POWER TRANSFER METHODS

Note: For high traffic areas an electric through-wire hinge or power transfer is recommended.

Electric Hinge Endcap Prep (By Others)

Electric Hinge p/n: EWH8-X (not weatherized)

Wire chase through door

1/2" hole through the inside door face

Power Transfer Endcap Prep (By Others)

Power Transfer p/n: PT-5 (not weatherized)

1/2" hole through the inside door face

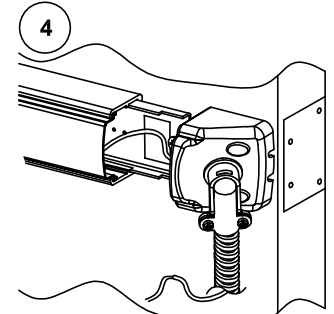
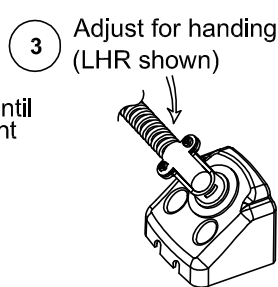
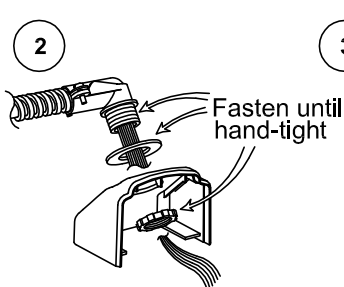
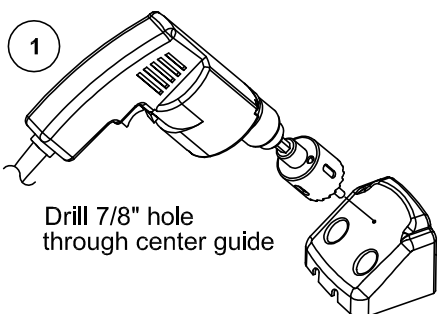
Wire chase through door

Value Series Flex Conduit

p/n: FC3 (3 ft)
FC10 (10 ft)
FC3W (3 ft weatherized)
FC10W (10 ft weatherized)

(non-weatherized shown)

(see below for prep)



Troubleshooting Tips for Default Setting

Problem	Probable Cause	Action
When unit is armed, red LED flashes twice, green LED is on for 15 seconds, but the unit does not give three beeps after the green LED goes off.	The actuator is sticking to the micro switch.	Lubricate the plastic parts
No LED activity when key is turned ccw to armed position.	Dead or weak battery. Battery not secured to connector correctly. Battery connector or wires damaged. No AC power.	Install new battery, LED's should flash and the siren beep once. Secure battery correctly. Replace battery connector Verify power from transformer and check for correct voltage at black wires.
AC powered unit gives a low battery indication.	Battery not installed. OR Low battery	Install battery. If battery is not desired, disconnect power and slide the 'Dis Lo Bat IND' switch to 'ON' position.
LED's do not flash to indicate armed or disarmed status.	Status indicator switch in off position.	Slide 'Status indicator' switch to 'ON' position.

Technical Support 800-729-3839

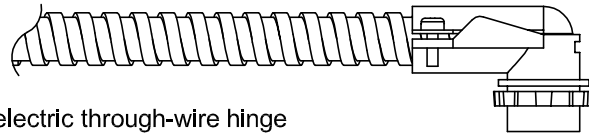
Optional Accessories

Armored Cable (Flex Conduit) Kit

P/N: FC3 (3 ft)

P/N: FC10 (10 ft)

Electrical Wires Not Supplied



Note: For high traffic areas an electric through-wire hinge or power transfer is recommended.

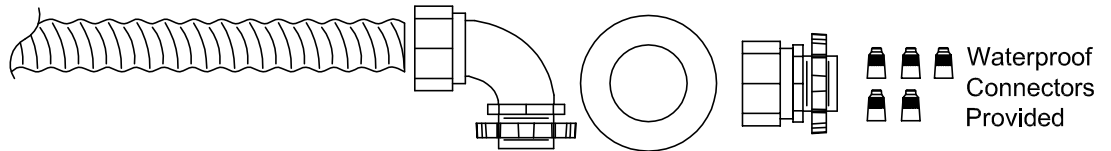
Weatherized

Armored Cable (Flex Conduit) Kit

P/N: FC3W (3 ft)

P/N: FC10W (10 ft)

Electrical Wires Not Supplied



Key Stop Kit

(Momentary Shunt)

Catalog No: KS

P/N: 101867

