

1283 Series

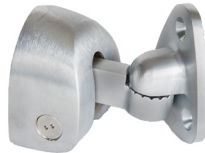
Adjustre Stops & Holders



1283-2S SHOWN



1283-4S SHOWN



1283-6S SHOWN

The patented Trimco **1283 Adjustre Series** is the only self-adjusting door holder manufactured. With a strike made of solid brass or bronze and featuring spring-loaded ball bearings allowing for tension adjustability. These unique stops and holders are self-adjusting to compensate for up to 1/2" of vertical door sag. Multiple options for floor and wall strikes are also available as well as a lockable version for use with a padlock (i.e. school gymnasium).

APPLICATIONS

- K-12 Schools
- Universities & Higher Education
- Hospitals & Healthcare Facilities
- Prisons & Detention Facilities
- Government & Military Facilities
- Hospitality

DOOR, WALL & FRAME PROTECTION

PRODUCT FEATURES

- Strike is gripped by hardened 1/2" diameter ball bearings.
- Self-adjusting for door sag up to 1/2".
- Gripping tension is adjustable with easy-to-reach security screws.
- Rugged thru-bolt attachment from back side of door.
- Concealed tamper-proof rubber cushion.
- Variety of strikes available: standard and custom height floor strikes, rigid and adjustable wall strikes.
- 1283LS is designed for use with a padlock to lock the door in the open position.

SPECIFICATIONS

STANDARDS

BHMA L01301

MATERIAL OPTIONS

BR – Brass
BZ – Bronze
PL – Chrome Plated Brass
 or Bronze Castings

SERIES

1283-2S Adjustre Floor Stop & Holder
1283-4S Adjustre Wall Stop & Holder, Wall Strike
1283-6S Adjustre Wall Stop & Holder, Adjustable Wall Strike
1283LS Adjustre Floor Stop & Holder, Lockable

FASTNERS

Machine screws for door and machine screws with anchors for strike.

WARRANTY

Lifetime Mechanical & Limited Finish Warranty

NOTES

Patent #3,129,024

FINISHES

605	Polished Brass
606	Satin Brass, Dull
609	Satin Brass and Black
610	Satin Brass, Black Relieved
611	Polished Bronze
612	Satin Bronze
613	Oil Rubbed Bronze
616	Satin Bronze, Black Relieved
619	Satin Nickel Plated, Clear
620	Satin Nickel Plated, Blackened (Antique Nickel)
622	Satin Black
625	Polished Chrome
626	Satin Chrome
SPEC	Special Options Available

1283 Series

Adjustre Stops & Holders

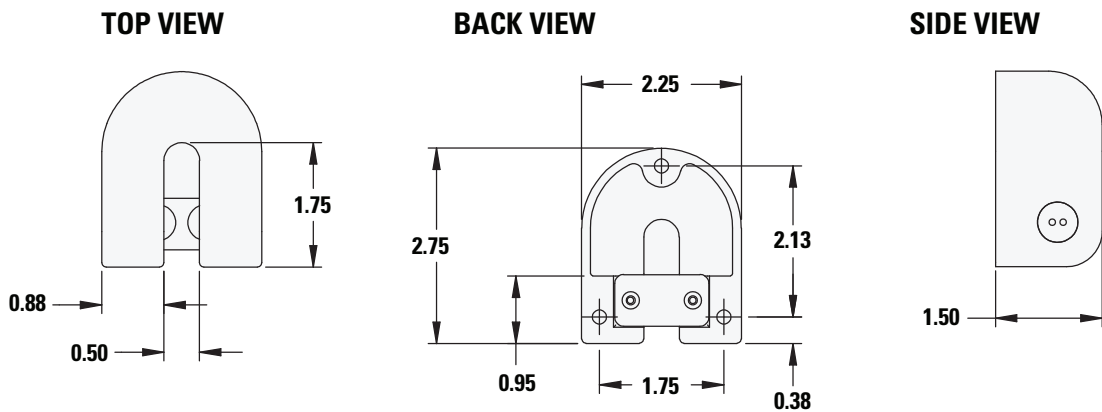
HOW TO SPECIFY & ORDER

CHOOSE THE FOLLOWING

SERIES	FINISHES
<ul style="list-style-type: none"> • 1283-2S Adjustre Floor Stop & Holder 	<ul style="list-style-type: none"> • 605 Polished Brass
<ul style="list-style-type: none"> • 1283-4S Adjustre Wall Stop & Holder, Wall Strike 	<ul style="list-style-type: none"> • 606 Satin Brass
<ul style="list-style-type: none"> • 1283-6S Adjustre Wall Stop & Holder, Adjustable Wall Strike 	<ul style="list-style-type: none"> • 609 Satin Brass and Black (Antique Brass)
<ul style="list-style-type: none"> • 1283LS Adjustre Floor Stop & Holder, Lockable 	<ul style="list-style-type: none"> • 610 Satin Brass, Black Relieved
	<ul style="list-style-type: none"> • 611 Polished Bronze
	<ul style="list-style-type: none"> • 612 Satin Bronze
	<ul style="list-style-type: none"> • 613 Oil Rubbed Bronze
	<ul style="list-style-type: none"> • 616 Satin Bronze, Black, Relieved
	<ul style="list-style-type: none"> • 619 Satin Nickel Plated, Clear Coated
	<ul style="list-style-type: none"> • 620 Satin Nickel Plated, Blackened (Antique Nickel)
	<ul style="list-style-type: none"> • 622 Satin Black
	<ul style="list-style-type: none"> • 625 Polished Chrome
	<ul style="list-style-type: none"> • 626 Satin Chrome
	<ul style="list-style-type: none"> • SPEC Special Options Available

EXAMPLE

Example: For a satin chrome Adjustre Wall Stop with an adjustable wall strike, specify or order: **1283-6S.626**



* Dimensions are informational only. Templates are available at www.trimcohardware.com