

TEMPLATE NO.

19658  
SHT 1 OF 1



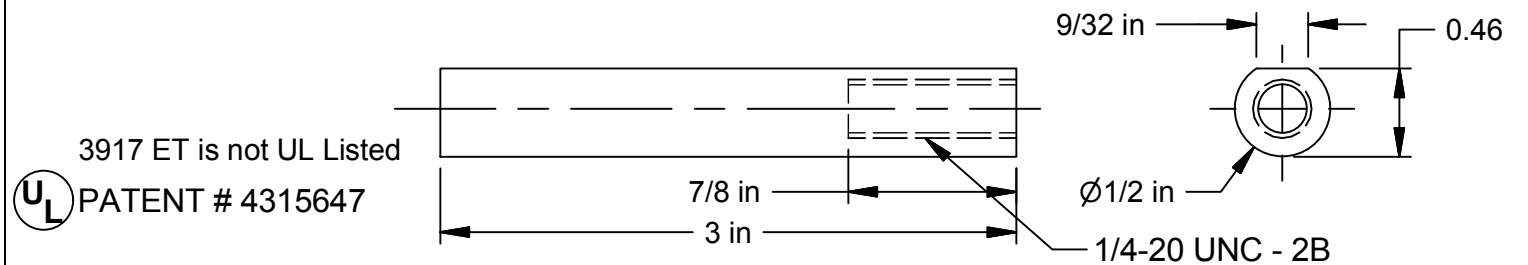
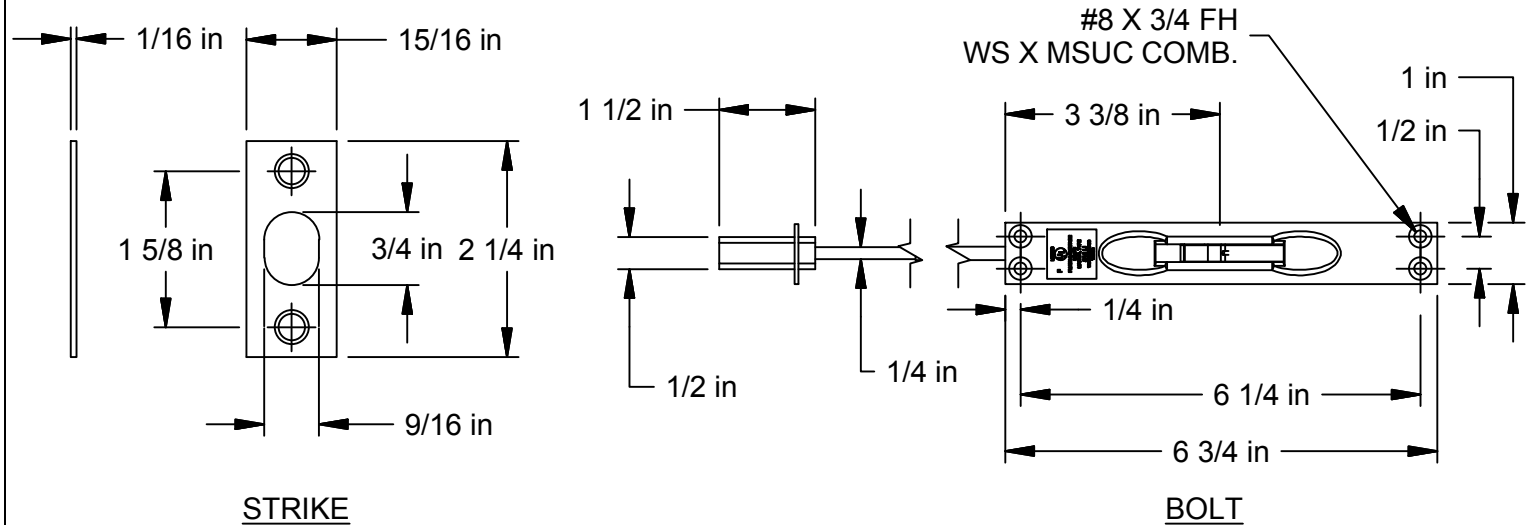
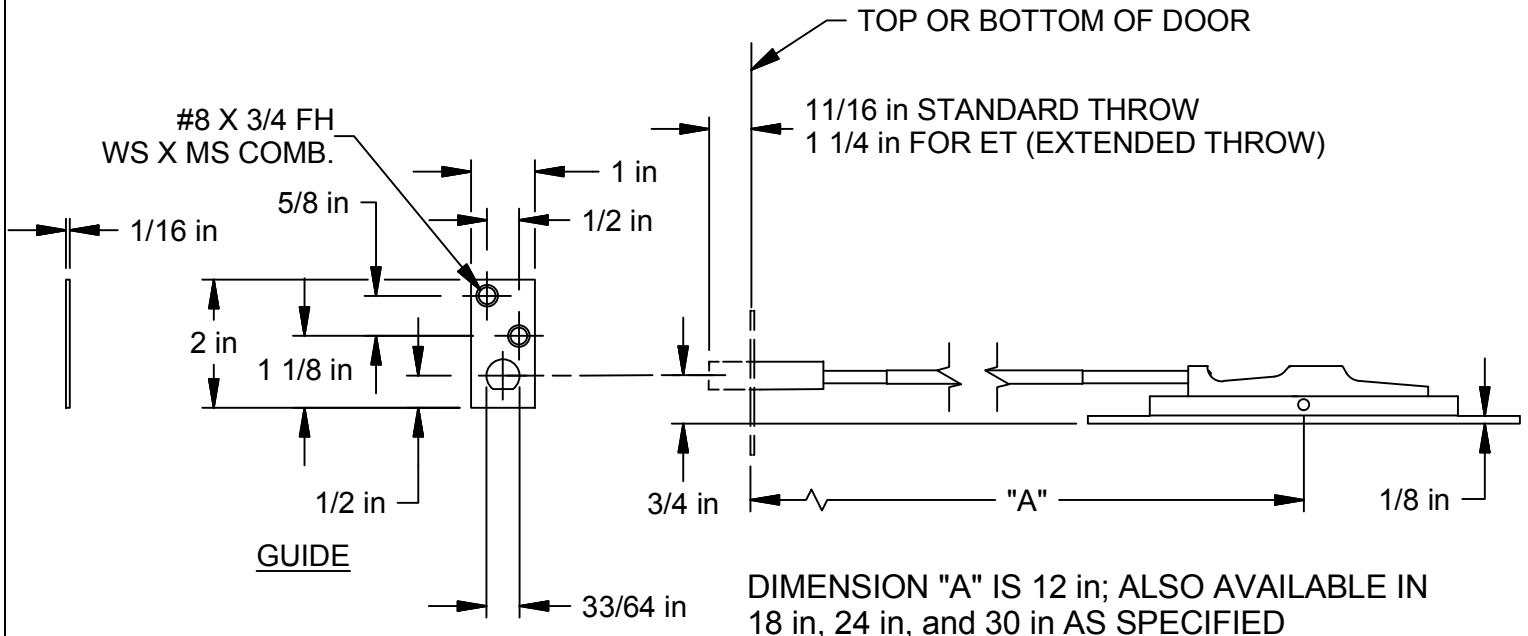
3528 Emery Street  
PO BOX 23277  
Los Angeles, CA 90023-0277  
(323)262-4191 www.trimcobbw.com  
email:info@trimcobbw.com

PRODUCT

3917, 3917 ET  
MANUAL FLUSHBOLT

NOTES:

1. THIS CONFORMS TO AMERICAN STANDARD (A.S.A.) SPECIFICATION A1154-1359.
2. SUPPLIED WITH 1-1/2 IN LONG BOLTHEAD AS STANDARD.
3. APPLICATION: FOR HOLLOW METAL DOORS.



3917 ET is not UL Listed

PATENT # 4315647

OPTIONAL 3917-3B BOLTHEAD

NOTE: This template is provided for use only on the job for which is was requested. Trimco reserves the right to make design changes without notice. Trimco will not be responsible for errors or damage caused by the use of out-of-date templates.

DATE

07/02/14

REVISION:  
SPLIT-OFF FROM 19155, 03/11/14, SGHJG  
DELETED FOR 3917 FROM UL NOTE, 03/18/14, SGHJG  
CORRECTED DIMENSION IN MAIN BOLT VIEW, 3/4 IN TO 1/2 IN, 07/02/14, SGHJG