

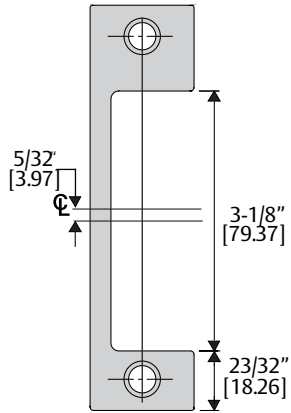
# Faceplate Options

(4-7/8" x 1-1/4" SQUARE CORNER)

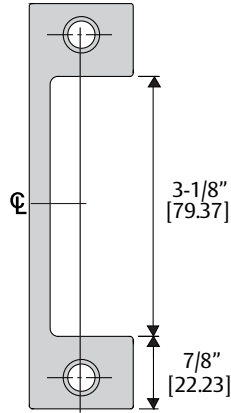
☒ = center line of faceplate  
(2nd line = center line of faceplate opening)

Inches [Millimeters]

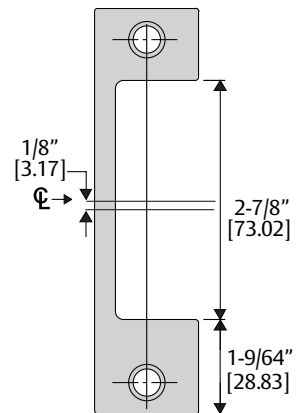
HD, ND



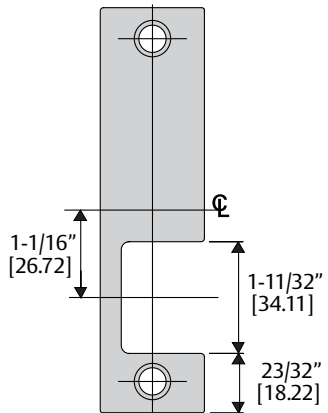
H, N



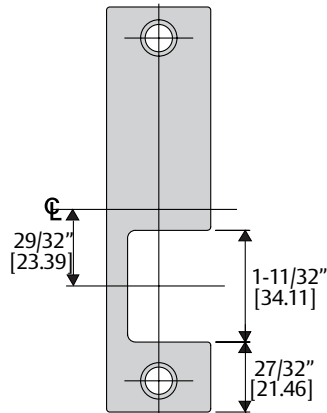
HM, NM



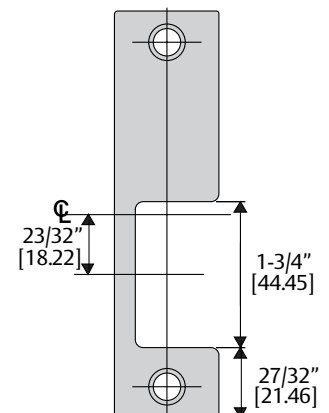
KD



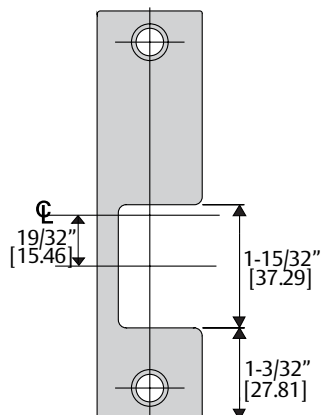
K



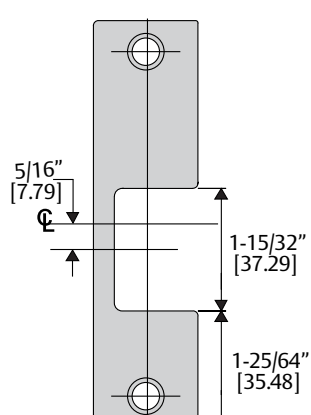
R



KM



Z



J, E

