

PUSH PLATE BOXES

Flush and surface housing for push plates

DESCRIPTION



4" JAMB
10PBJ series

Surface-Mount – 10BOXJAMBSM
Flush-Mount – 10BOXJAMBFM

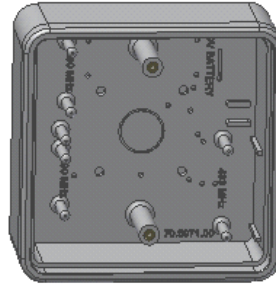
*3V transmitter compatibility
no weather ring compatibility*



3 1/4" JAMB
10PBJ series

Surface-Mount – 10BOXJAMBST
Flush-Mount – not available

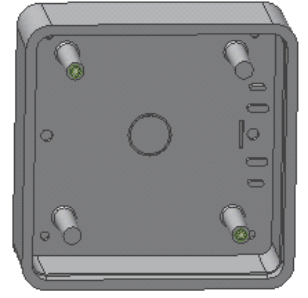
*no transmitter compatibility
no weather ring compatibility*



4 1/8" SQUARE
10PBS45 series

Surface-Mount – 10BOX45SQSM
Flush-Mount – 10BOX45SQFM

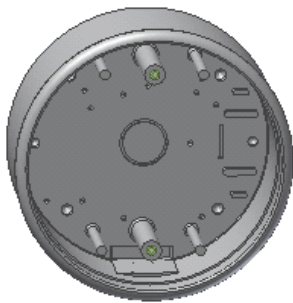
*3V & 9V transmitter compatibility
no weather ring compatibility*



4 3/4" SQUARE
10PBS series

Surface-Mount – 10BOX475SQSM
Flush-Mount – 10BOX475SQFM

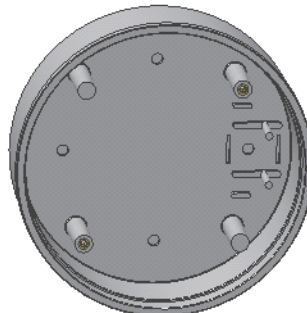
*3V & 9V transmitter compatibility
weather ring – 10WRSQ475*



4 1/2" ROUND
10PBR45 series

Surface-Mount – 10BOX45RNDSM
Flush-Mount – 10BOX45RNDFM

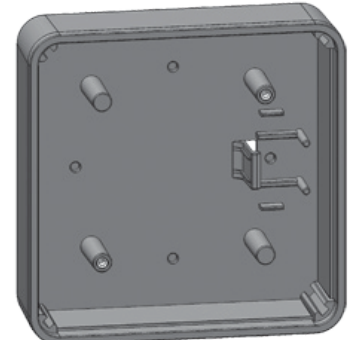
*3V & 9V transmitter compatibility
weather ring – 10WRRND45*



6" ROUND
10PBR series

Surface-Mount – 10BOX6RNDSM
Flush-Mount – 10BOX6RNDFM

*3V & 9V transmitter compatibility
weather ring – 10WRRND6*



6" SQUARE
10PBS6 series

Surface-Mount – 10BOX6SQSM
Flush-Mount – 10BOX6SQFM

*3V & 9V transmitter compatibility
no weather ring compatibility*

PRECAUTIONS



- Shut off all power going to header before attempting any wiring procedures.
- Maintain a clean and safe environment when working in public areas.
- Constantly be aware of pedestrian traffic around the door area.
- Always stop pedestrian traffic through the doorway when performing tests that may result in unexpected reactions by the door.
- ESD (electrostatic discharge):* Circuit boards are vulnerable to damage by electrostatic discharge. Before handling any board, ensure you dissipate your body's ESD charge.
- Always check placement of all wiring before powering up to ensure that moving door parts will not catch any wires and cause damage to equipment.
- Ensure compliance with all applicable safety standards (i.e. ANSI A156.10) upon completion of installation.
- DO NOT attempt any internal repair of the components. All repairs and/or component replacements must be performed by BEA, Inc. Unauthorized disassembly or repair:
 1. May jeopardize personal safety and may expose one to the risk of electrical shock.
 2. May adversely affect the safe and reliable performance of the product resulting in a voided warranty.

MOUNTING

1

If this installation will be hard-wired to a door control, you must remove the back (for round) or bottom (of square), and then route the appropriate wire to the box.



Surface-mount (above, left): Securely attach using corner holes.

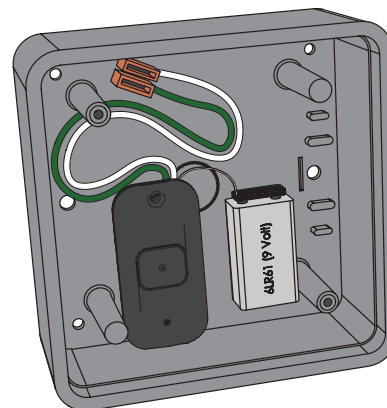
Flush-mount (above, right): Cut hole in mounting surface to fit galvanized steel bracket. Tighten the two screws that secure the bracket to the surface.

2

OPTIONAL: Mount a wireless transmitter inside (see steps a – d). Use the Velcro® provided with the transmitter or a battery clip.

Jamb-size boxes will require the 3V transmitter (8310-844J).

- a) Attach leads to the switch on the push plate.
- b) Using Velcro®, attach the transmitter to the housing.
- c) Clip or attach the 9V battery using Velcro®.



BEA INSTALLATION/SERVICE COMPLIANCE EXPECTATIONS

BEA, the sensor manufacturer, cannot be held responsible for incorrect installations or inappropriate adjustments of the sensor/device; therefore, BEA does not guarantee any use of the sensor outside of its intended purpose.

BEA strongly recommends that installation and service technicians be AAADM-certified for pedestrian doors, IDA-certified for doors/gates, and factory-trained for the type of door/gate system.

Installers and service personnel are responsible for executing a risk assessment following each installation/service performed, ensuring that the sensor system installation is compliant with local, national, and international regulations, codes, and standards.

Once installation or service work is complete, a safety inspection of the door/gate shall be performed per the door/gate manufacturer recommendations and/or per AAADM/ANSI/DASMA guidelines (where applicable) for best industry practices. Safety inspections must be performed during each service call – examples of these safety inspections can be found on an AAADM safety information label (e.g. ANSI/DASMA 102, ANSI/DASMA 107).

Verify that all appropriate industry signage and warning labels are in place.



A HALMA COMPANY

Tech Support: 1-800-407-4545 | Customer Service: 1-800-523-2462 | General Tech Questions: Tech_Services@bea-inc.com | Tech Docs: www.BEAinc.com