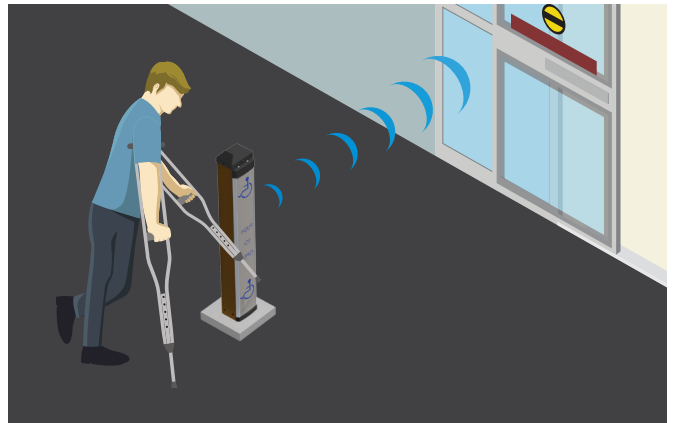


# BOLLARD FAMILY

## MOUNTING POST FOR PUSH PLATES



### PRIMARY APPLICATIONS



### DESCRIPTION

BEA's Bollard Family is designed for mounting push plates, that activate automatic doors, in locations where a mounting surface is not available. This enhances accessibility for those with limited mobility or disabilities.

Bollards are compatible with a variety of push plate shapes and sizes, as well as wireless transmitters.

### FEATURES & BENEFITS

- $\frac{1}{16}$  inch thick stainless steel for increased durability
- Can be mounted either on existing concrete or in newly poured concrete
- Available in silver, bronze and black and with or without hole
- UV-resistant ABS plastic cap allows for transmission when using wireless transmitters



BEA, Inc.  
RIDC Park West  
100 Enterprise Drive  
Pittsburgh, PA 15275-1213

Customer Service: 800.523.2462  
Technical Support: 800.407.4545  
[www.BEAinc.com](http://www.BEAinc.com)

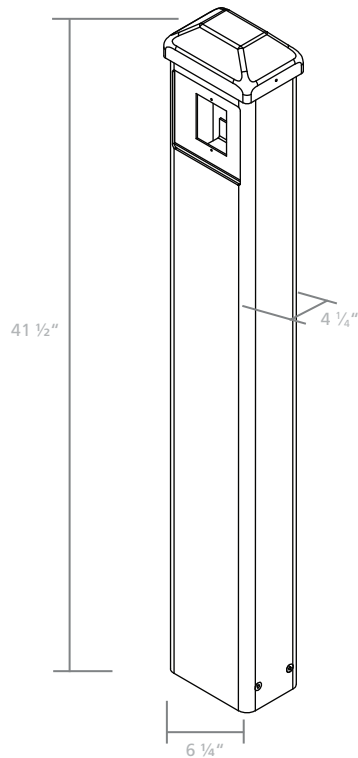
## APPLICATIONS



## TECHNICAL SPECIFICATIONS

<b>Dimensions (with cap)</b>	41 1/2" (H) x 6 1/4" (W) x 4 1/4" (D)
<b>Material</b>	Post: Powder-coated, carbon steel (interior and exterior) Cap: UV-resistant ABS plastic Bracket: Stainless steel
<b>Push Plate Compatibility</b>	4 1/2" square, 4 3/4" square (including Panther) Dual-vestibule, 4 1/2" round <b>NOTE:</b> "Without hole" versions will accommodate 6" square and 6" round Panther plates as well as surface-mount card readers, key pads, or other surface mount devices.
<b>Weight</b>	35 lbs (16 kg)
<b>Color</b>	Black, Bronze or Silver
<b>Hardware</b>	Post: 1/2" x 13 UNC x 1" socket-head bolts (4) - 5/16" hex Cap: #6 x 3/4" sheet metal screws (3) and #6 finishing washers (3) Bracket: 3" expansion anchors (4), lock washers (4), and nuts (4)

## DIMENSIONAL DRAWINGS



## RELATED PRODUCTS



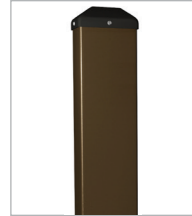
10BOLLARDBRZ  
BOLLARD - BRONZE



10BOLLARDSLV  
BOLLARD - SILVER



10BOLLARDBLK  
BOLLARD - BLACK



10BOLLARDBRZWOH  
BOLLARD - BRONZE  
WITHOUT HOLE



10BOLLARDSLVWOH  
BOLLARD - SILVER  
WITHOUT HOLE



10BOLLARDBLKWOH  
BOLLARD - BLACK  
WITHOUT HOLE



70.0195  
BOLLARD CAP



70.5022  
U-SHAPED BOLLARD  
MOUNTING BRACKET



50.0073  
PLASTIC  
TRANSMITTER SHELF

www.BEAinc.com

© 2018 BEA, Inc. All rights reserved.

**BOLLARD FAMILY** MOUNTING POST FOR PUSH PLATES

BEA, Inc.  
RIDC Park West  
100 Enterprise Drive  
Pittsburgh, PA 15275-1213

Customer Service: 800.523.2462  
Technical Support: 800.407.4545

