

BEYOND SECURITY



# Simplex® L1000



## Features

### *Access Control*

Mechanical pushbutton lock—eliminates problems and costs associated with issuing, controlling, and collecting keys and cards. Provides exterior access by combination, while allowing free egress

### *No Battery*

Fully mechanical lock eliminates the material and labor expense of battery replacements

### *Number of Codes*

Single access code—one easy-to-manage code for all users

### *Programming*

Lock is easily programmed via keypad without removing lock from the door

### *Handing*

Factory-handed; not field reversible

### *Key Override (Optional)*

Small format interchangeable cores, large format removable cores

### *Operation Modes*

- Pushbutton Access
- Passage (select models)—allows access without using the lock entry code. Feature activated from the inside with a thumbturn or key (included with all passage feature models).
- Privacy (select models)—disables the lock from the inside so that the entry code cannot be used to gain access. Access is permitted using the key override only when in this mode.

### *Economical*

A cost effective access control solution

## Mechanical Features

|                           |                                                                                                                 |
|---------------------------|-----------------------------------------------------------------------------------------------------------------|
| Construction              | Heavy-duty cylindrical lock housing with cast front housing, unified trim plate, and fixed ADA-compliant levers |
| Locking Device            | Cylindrical latch with 3-hour UL/ULC fire rating on "A" labeled doors                                           |
| Numeric Keypad            | Vandal resistant, solid metal pushbuttons                                                                       |
| Handing                   | Factory-handed; not field reversible                                                                            |
| Standard Finishes         | Satin Chrome 26D (626), Antique Brass 05 (609)                                                                  |
| Optional Finishes         | Bright Brass 03 (605), Bright Chrome 026 (625)                                                                  |
| Backset                   | 2 3/4" (70 mm), 2 3/8" (60 mm)                                                                                  |
| Latch                     | 1/2" (13 mm) throw latch, 3/4" (19 mm) throw latch (optional)                                                   |
| Minimum Stile Recommended | 5" (127 mm)                                                                                                     |
| Weight                    | 8.25 lbs. (3.7 kg)                                                                                              |
| Strike                    | Standard strike plate; ASA strike plate                                                                         |

## Key Override

|                       |                                                                                                                                 |
|-----------------------|---------------------------------------------------------------------------------------------------------------------------------|
| Interchangeable Cores | Small format—Best and equivalents (6 or 7-pin length); core not included                                                        |
| Removable Cores       | Large format—Medeco/ASSA/Yale/Abloy (5 or 6-pin length); Corbin Russwin (6-pin length); Schlage, and Sargent; core not included |

## Installation

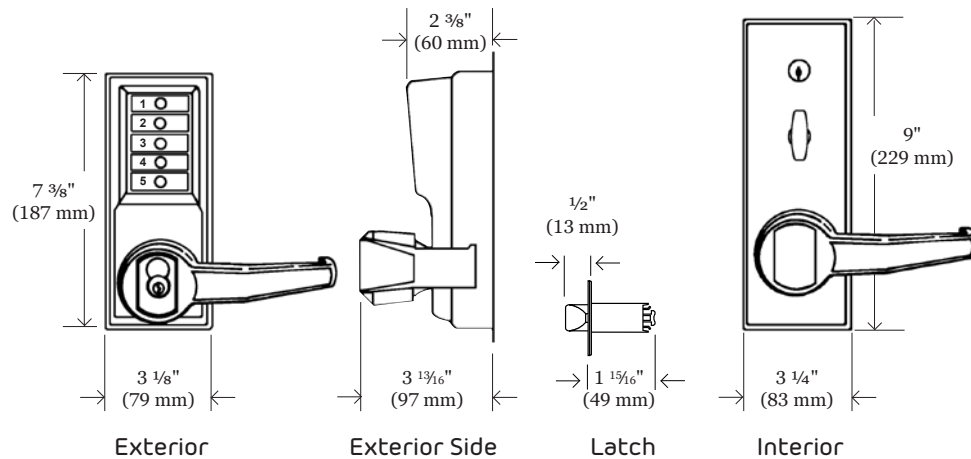
|                  |                                                                                                                                                                                       |
|------------------|---------------------------------------------------------------------------------------------------------------------------------------------------------------------------------------|
| Door Preparation | Easily installs on wood or metal doors. ASA 161 door preparation with additional through holes.                                                                                       |
| Door Thickness   | Pre-assembled to accommodate 1 5/8" (41mm) to 1 7/8" (48mm) doors. Hardware included to cover door thickness applications: 1 3/8" (35mm) to 1 1/2" (38mm), 2" (51mm) to 2 1/4" (57mm) |

## Certification and Testing

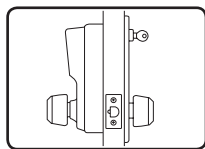
|                        |                                                                              |
|------------------------|------------------------------------------------------------------------------|
| Accessibility Standard | Americans with Disabilities Act (ADA); fixed ADA-compliant levers            |
| Durability             | D.O.D. Compliant 5220.22M for supplemental access control; weather resistant |
| Fire Rating            | 3-hour UL/ULC fire rating for "A" labeled doors                              |

## Warranty

|          |                 |
|----------|-----------------|
| Warranty | 3-year warranty |
|----------|-----------------|

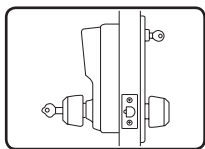


### Model L101x



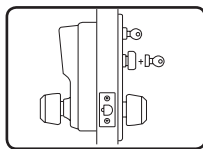
- Combination Entry
- Interior Combination Change

### Model L102x



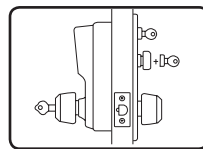
- Combination Entry
- Key Override (not supplied)
- Interior Combination Change

### Model L103x



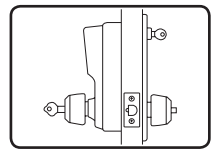
- Combination Entry
- Interior Combination Change
- Passage

### Model L104x



- Combination Entry
- Key Override (not supplied)
- Interior Combination Change
- Passage

### Model L1076



- Combination Entry
- Key Override (not supplied)
- Interior Combination Change
- Privacy (lockout) available on key override models only