

400 SERIES

ANSI 156.4 Grade 2, Optional Full Cover, Sized Door Closer
UL Listed Conforms to standards UL10C and UBC7-2-1997
5 Year Warranty



5-YEAR WARRANTY



- Standard Duty Commercial Hydraulic Door Closer Precision Engineering for New Construction
- Meets and Exceeds ANSI Standard 156.4 Grade 2
- Sized Door Closer, Sizes 2, 3 and 4
- For All Standard Applications
- Optional Full Cover
- Optional Back-Check
- Heavy Duty Rack and Pinion



FEATURES

- Sized Hydraulic Door Closers. **420-P** Size 2, **430-P** Size 3, **SM430-P** Size 3, and **440-P** Size 4
- Dual Valve, Closing and Latching Speed Controlled by Two Separate Regulating Valves
- Universal Application, Non-Handed, Designed for All Standard Installations
- Reinforced Type Adjustable Tube Arm
- Rack and Pinion Operated Contained in a High Tensile Precision Cast Aluminum Housing for the Highest Quality
- The Streamlined Design Permits Installation on Most Commercial and Residential Applications without Adaptors

RECOMMENDED CLOSER SIZES FOR INTERIOR & EXTERIOR

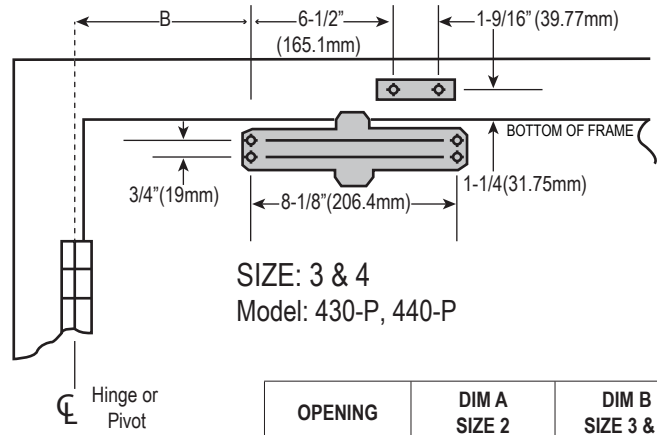
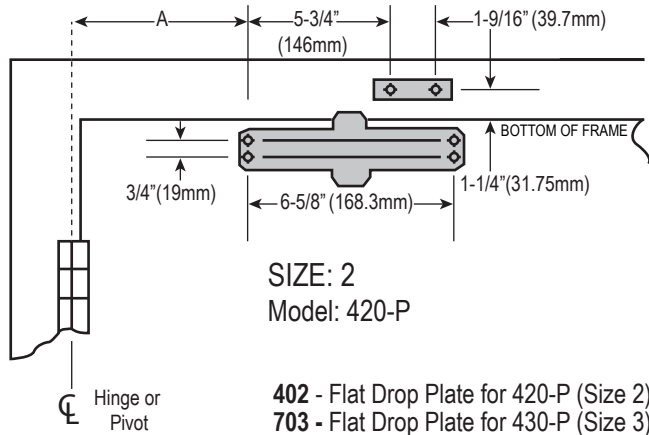
REGULAR CLOSERS				CLOSERS WITH PARALLEL ARM ADAPTER				
MODEL NO.	DOOR WEIGHT (POUNDS) ALL MODELS	MODEL NO.	TYPE OF DOOR	MAXIMUM SIZE OF DOOR			MAXIMUM SIZE OF DOOR	
REGULAR		HOLD OPEN ACCESSORIES		INTERIOR	EXTERIOR INSWINGING	INTERIOR OUTSWINGING	INTERIOR	EXTERIOR INSWINGING
420P	55-100	301/302	Heavy screen doors or medium weight interior door of wood or metal	3'0"	---	---	2'6"	---
430P	88-143	301/302	Light exterior doors and interior doors of wood or metal	3'6"	2'6"	3'0"	3'0"	2'6"
440P/ SM430-P	120-187	301/302	Exterior doors and heavy interior doors of wood or metal	4'0"	3'0"	3'6"	3'6"	3'0"

NOTE: Doors of unusual height or weight, or doors subject to severe wind or draft conditions, or abusive usage, require the next larger model closer than the schedule.

SPECIFICATIONS DESCRIPTION	SIZE			
	420-P 2	SM 430-P 3	430-P 3	440-P 4
A. Length of Closer Body	7 1/4"	7 1/8"	8 3/4"	8 3/4"
B. Horizontal Mounting Holes	6 3/8"	6 1/2"	8 3/16"	8 3/16"
C. Vertical Mounting Holes	3/4"	3/4"	3/4"	3/4"
D. Height of Closer Body	1 3/4"	1 3/4"	1 3/4"	1 3/4"
E. Projection from Door	2 5/8"	2 15/32"	2 7/8"	2 7/8"

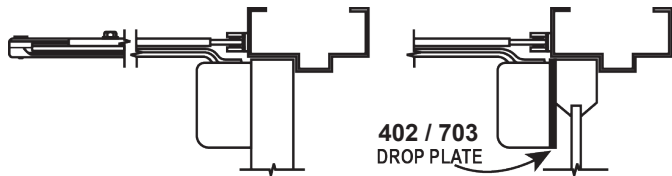
**400 Series
END VIEW**

400 SERIES : REGULAR ARM INSTALLATION (PULL SIDE)

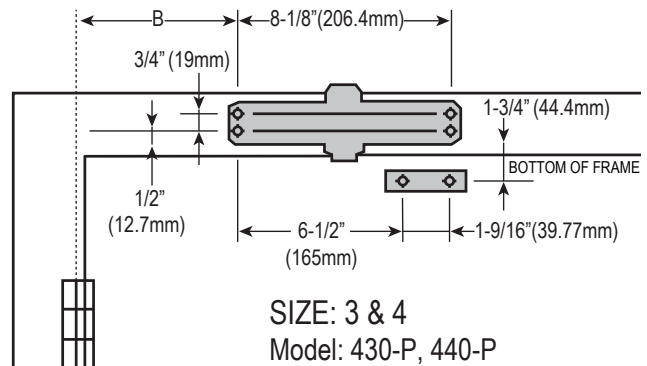
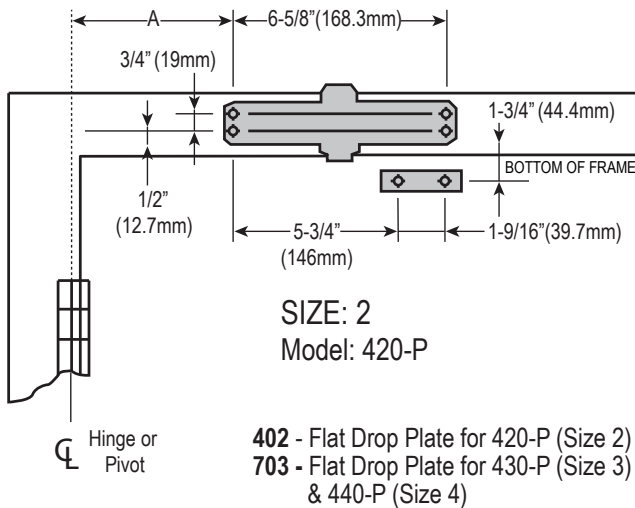


OPENING	DIM A SIZE 2	DIM B SIZE 3 & 4
120° - 180°	3-3/4" (95.25 mm)	4-3/4" (120.1 mm)
OVER 180°	2-9/16" (65 mm)	3-1/8" (79.4 mm)

- RIGHT HAND DOOR SHOWN
- LEFT HAND DOOR OPPOSITE
- DIMENSIONS ARE IN INCHES
- DRAWING NOT TO SCALE

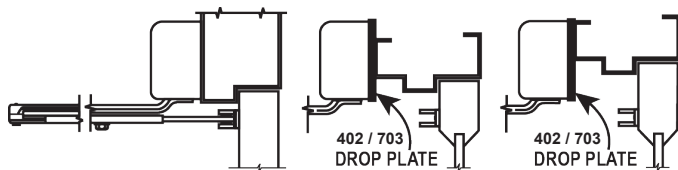


400 SERIES : TOP JAMB INSTALLATION (PUSH SIDE)

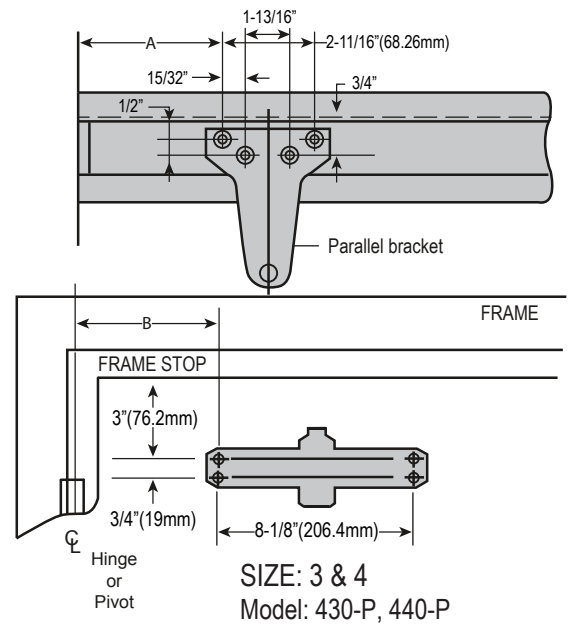
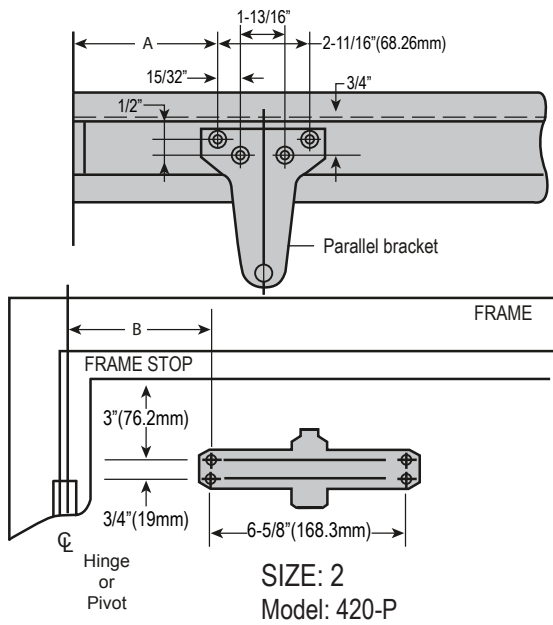


OPENING	DIM A SIZE 2	DIM B SIZE 3 & 4
120° - 180°	3-3/4" (95.25 mm)	3-1/8" (79.4 mm)
OVER 180°	2-9/16" (65 mm)	4-3/4" (120.1 mm)

- LEFT HAND DOOR SHOWN
- RIGHT HAND DOOR OPPOSITE
- DIMENSIONS ARE IN INCHES
- DRAWING NOT TO SCALE

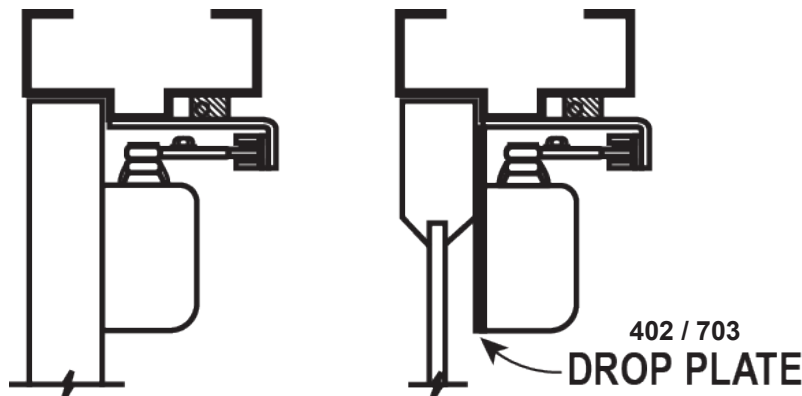


400 SERIES : PARALLEL ARM INSTALLATION (PUSH SIDE)



- LEFT HAND DOOR SHOWN
- RIGHT HAND DOOR OPPOSITE
- DIMENSIONS ARE IN INCHES
- DRAWING NOT TO SCALE

OPENING	DIM A SIZE 2	DIM B SIZE 2	DIM A SIZE 3 & 4	DIM B SIZE 3 & 4
120° - 180°	5-7/8" (149.2 mm)	4-11/16" (119 mm)	7-7/8" (200 mm)	6-11/16" (169.8 mm)
OVER 180°	4-11/16" (119 mm)	3-1/2" (88.9 mm)	6-11/16" (169.8 mm)	5-1/2" (139.7 mm)



402 - Flat Drop Plate for 420-P (size 2)

703 - Flat Drop Plate for 430-P (size 3) and 440-P (size 4)

OPTIONAL INSTALLATION

REGULAR ARM (PULL SIDE)		MAXIMUM OPENING: 180° (Standard), 120° (Hold Open)	
TOP JAMB (PUSH SIDE)		OPTIONAL INSTALLATION	
PARALLEL ARM (PUSH SIDE)		ARMS	
		<ul style="list-style-type: none"> • 301 / 302- Hold-Open Arm with Parallel Bracket, Non-Handed with Stop in Soffit Shoe 	
		BRACKETS	
		<ul style="list-style-type: none"> • 402 - Flat Drop Plate for 420-P (size 2) • 703 - Flat Drop Plate for 430-P (size 3) and 440-P (size 4) 	
MAXIMUM OPENING: 180° (Standard), 120° (Hold Open)		OPTIONAL INSTALLATION	
ARMS		ARMS	
		<ul style="list-style-type: none"> • 301 / 302- Hold-Open Arm with Parallel Bracket, Non-Handed with Stop in Soffit Shoe 	
BRACKETS		BRACKETS	
		<ul style="list-style-type: none"> • 402 - Flat Drop Plate for 420-P (size 2) • 703 - Flat Drop Plate for 430-P (size 3) and 440-P (size 4) • 905 - Parallel Arm Bracket 	
			
COV / 400	905	703	402
<ul style="list-style-type: none"> • Plastic full cover • Fits all sizes • Shipped separately 	<ul style="list-style-type: none"> • Parallel arm bracket • Non-handed 	<ul style="list-style-type: none"> • Flat drop bracket • Non-handed 	<ul style="list-style-type: none"> • Flat drop bracket • Non-handed
			
970138	970	706	301 / 302
<ul style="list-style-type: none"> • Sex bolts for 1 3/8" doors • Female part only • 1/4" – 20 (set of 4) • For Steel Door Application 	<ul style="list-style-type: none"> • Sex bolts • Female part only • 1/4" – 20 (set of 4) • For Steel Door Application 	<ul style="list-style-type: none"> • Thru bolts and grommet nuts • Set of 4 • For Wood and Aluminum Door Application 	<ul style="list-style-type: none"> • Hold-Open Arm and Parallel Bracket • Forged Steel Constructions • Non-handed