

## Installation Instructions

This pivoting hinge is designed for interior doors between 1 $\frac{3}{8}$ " and 1 $\frac{3}{4}$ " thickness, with a maximum weight of 80 lbs.

**Please Note:** This pivot can not be mounted in a door frame with an applied or integral stop. Installation is only possible on a flat door jamb. This exclusive design allows the door to stop in position at 0, 88, and 116 degrees in either direction. A unique alignment adjustment screw enables you to center the door in its frame after installation, if needed.

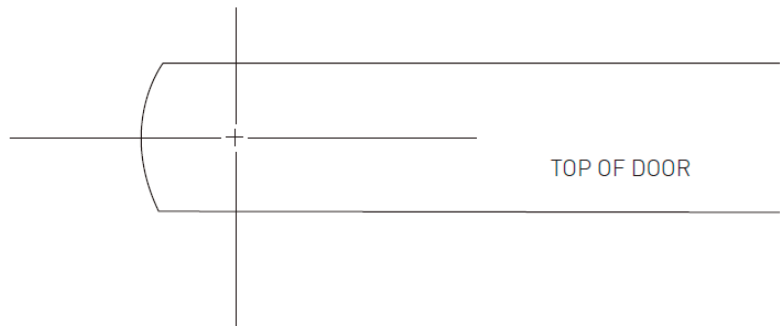
**Diagrams are not drawn to scale.**

### 1 Preparing the Door

Plane the edge of the door the hinge will be installed against to a radius of 1 $\frac{1}{2}$ ". If required, plane opposite edge of door as well.

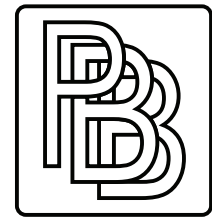
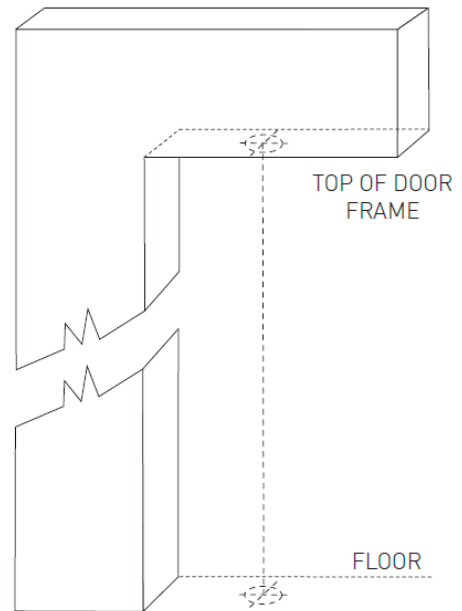
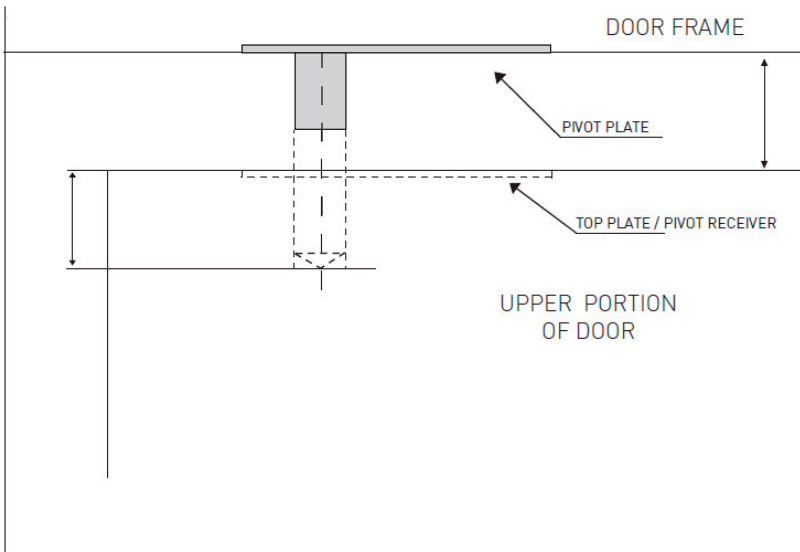
When the door is installed the following clearances must be in place for the door to operate properly:

- Top of door to frame: 3/16"
- Bottom of door to floor: 5/8"
- Hinge edge of door to frame: 1/4"
- Non-hinge edge of door to frame: 3/16"



### 2a Installing the Pivot & Pivot Receiver

Following the diagram below, attach the pivot to the top of the door frame and the pivot receiver to the top of the door.



ARCHITECTURAL

### Required Tools:

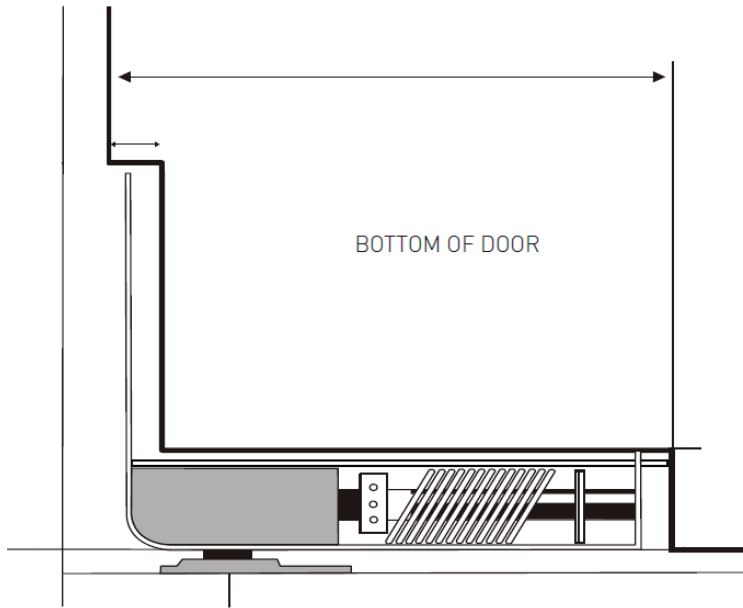
- Phillips Head Screw Drivers
- 1/2" Drill Bit
- 3/32" Drill Bit
- Hand saw or jig saw
- Planer
- Plumb line

### 2b Establish Vertical Alignment

Using a plumb line, establish the alignment of the pivot mounted to top of door frame with the center point of the hinge pivot to be mounted on the floor below.

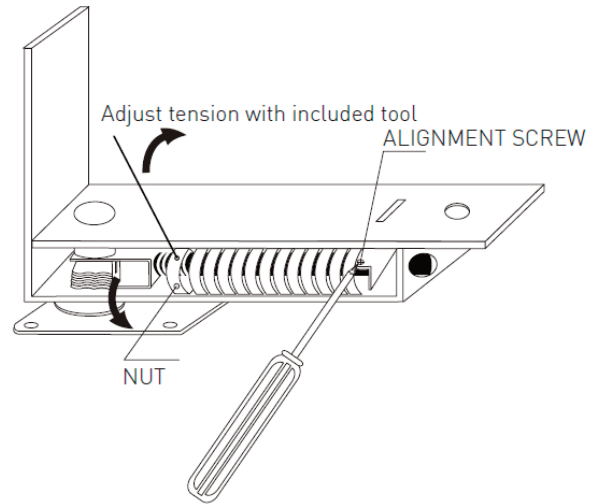
### 3 Installing the Spring Hinge Mechanism

Following the template and diagram below, notch the bottom edge of the door to accommodate the spring hinge mechanism. Mark and pre-drill screw holes, then firmly attach hinge to the door with the included screws.



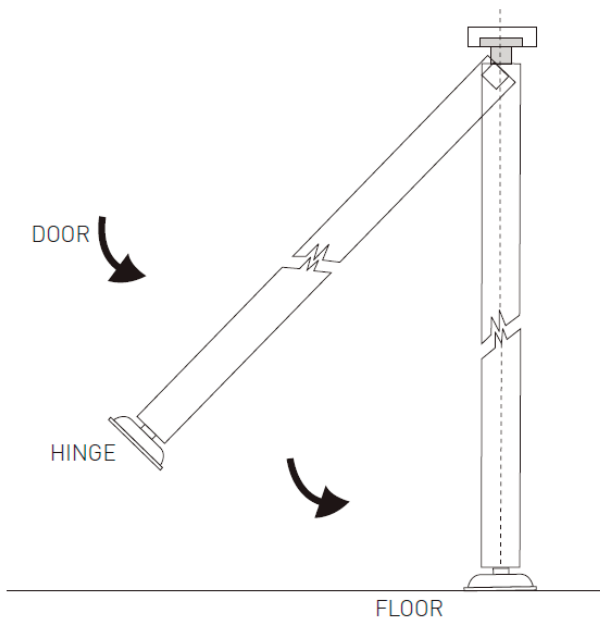
### 5 Adjust Speed of Swing/Alignment

Depending on the weight of the door, you may wish to adjust the tension on the spring, to increase or decrease the speed with which the door swings. Adjust the tension by turning the nut either direction with the included rod (see diagram). If the door is not aligned, turn alignment screw as needed until the door reaches the proper position.



### 4 Installing the Spring Hinge Mechanism

Following the template and diagram below, notch the bottom edge of the door to accommodate the spring hinge mechanism. Mark and pre-drill screw holes, then firmly attach hinge to the door with the included screws.



### 6 Install Cover Plates

Install the heel plate on the rear edge of the door, followed by the cover plates for each face of the door. With this, installation of the door is complete.

